

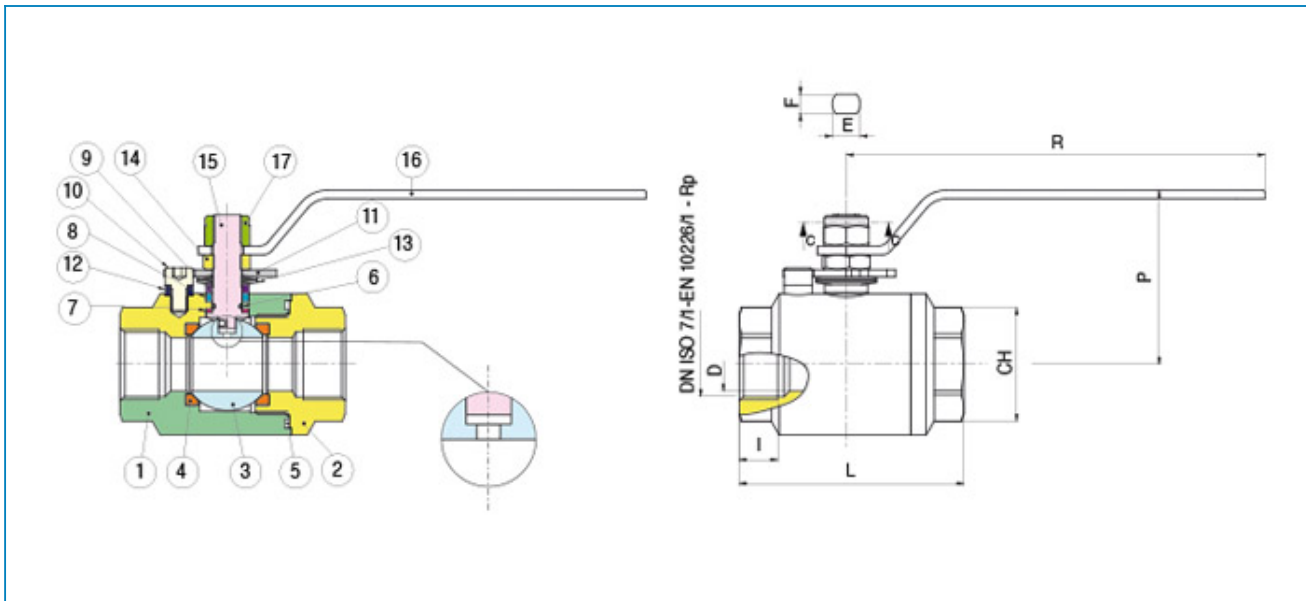
NEW



Serie **INOX-VAL MONOBLOCCO**

Articolo **709000**

Barstock ball valve monobloc type class 800 lbs in stainless steel AISI316 and carbon steel ASTM A105, full bore, F/F threading, antistatic device.



Limiti di temperatura: -20° +160° - Temperature range: -20° +160° Vuoto: 10-3 torr. - Vacuum: 10-3 torr.

POS.	PART NAME	MATERIALE-MATERIALS MATERIAUX-WERKSTOFF- MATERIAL	N°P
1	BODY	A182-F316/F316L	1
2	END CONNECTION	A182-F316/F316L	1
3	BALL	A182-F316	1
4	BALL SEAT	R.P.T.F.E.	2
5	BODY SEAT	R.P.T.F.E.	1
6	O-RING	FKM (VITON®)	1
7	THRUST WASHER	R.P.T.F.E.	1
8	STEM SEAT	R.P.T.F.E.	1
9	BUSH	STAINLESS STEEL	1
10	SCREW	STAINLESS STEEL	
11	90° STOP	STAINLESS STEEL	1
12	BUSH	STAINLESS STEEL	
13	SPRING WASHER	STAINLESS STEEL	2
14	NUT	STAINLESS STEEL	2
15	STEM	A182-F304	1
16	WASHER	STAINLESS STEEL	1
17	NUT	STAINLESS STEEL	1

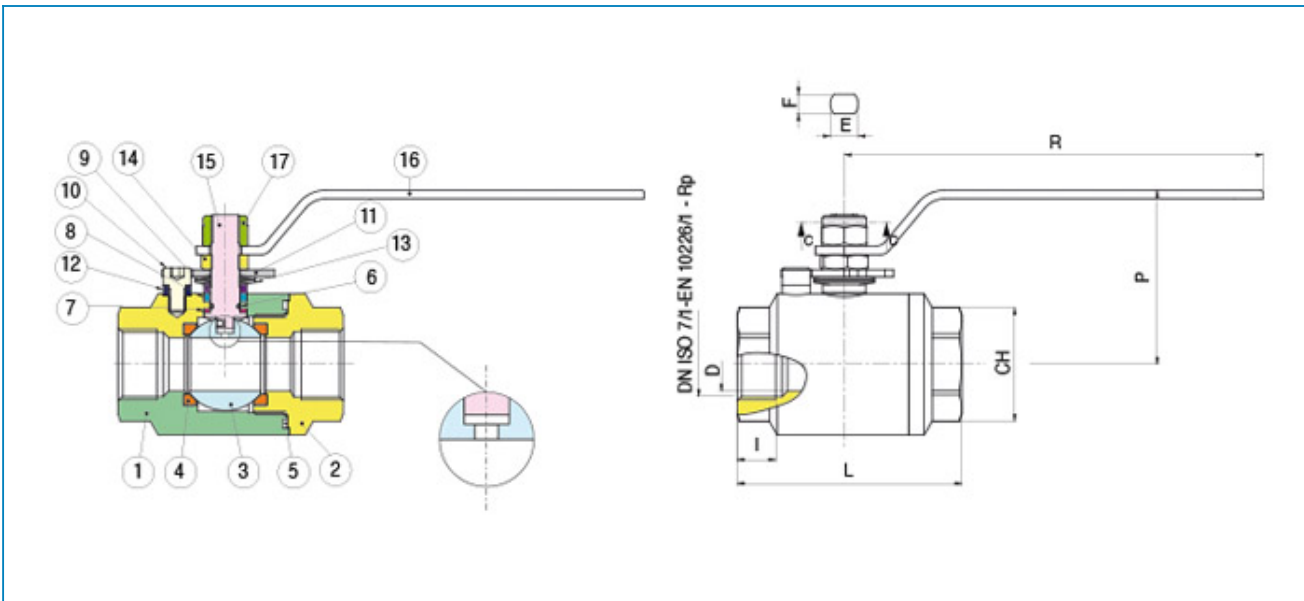
MISURA SIZE	DN	D	I	L	R	P	E	F	Kv	Kg
1/4"	8	10	10	70	133	56	8	5	5,6	0,77
3/8"	10	10	10	70	133	56	8	5	5,6	0,66
1/2"	15	13	13	85	160	64	10	6	18,2	1,03
3/4"	20	20	17	95	180	73	12	7	35	1,30
1"	25	25	17	105	295	80	14	9	64,5	2,02
1"1/4	32	32	20	120	210	81	14	9	103,8	3,30
1"1/2	40	38	23	130	270	96	18	12	168	4,39
2"	50	50	23	150	270	104	18	12	301,3	7,33



Serie **INOX-VAL MONOBLOCCO**

Articolo **709100**

Barstock ball valve monobloc type class 800 lbs in stainless steel AISI316 and carbon steel ASTM A105, full bore, F/F threading, antistatic device.



Limiti di temperatura: -10° +160° - Temperature range: -20° +160° Vuoto: 10-3 torr. - Vacuum: 10-3 torr.

POS.	PART NAME	MATERIALE-MATERIALS MATERIAUX-WERKSTOFF- MATERIAL	N°P
1	BODY	ASTM-A105	1
2	END CONNECTION	ASTM-A105	1
3	BALL	A182-F304	1
4	BALL SEAT	R.P.T.F.E.	2
5	BODY SEAT	R.P.T.F.E.	1
6	O-RING	FKM (VITON®)	1
7	THRUST WASHER	R.P.T.F.E.	1
8	STEM SEAT	R.P.T.F.E.	1
9	BUSH	STAINLESS STEEL	1
10	SCREW	STAINLESS STEEL	
11	90° STOP	STAINLESS STEEL	1
12	BUSH	STAINLESS STEEL	
13	SPRING WASHER	CARBON STEEL	2
14	NUT	STAINLESS STEEL	2
15	STEM	A182-F304	1
16	WASHER	STAINLESS STEEL	1
17	NUT	STAINLESS STEEL	1

MISURA SIZE	DN	D	I	L	R	P	E	F	Kv	Kg
1/4"	8	10	10	70	133	56	8	5	5,6	0,77
3/8"	10	10	10	70	133	56	8	5	5,6	0,66
1/2"	15	13	13	85	160	64	10	6	18,2	1,03
3/4"	20	20	17	95	180	73	12	7	35	1,30
1"	25	25	17	105	295	80	14	9	64,5	2,02
1"1/4	32	32	20	120	210	81	14	9	103,8	3,30
1"1/2	40	38	23	130	270	96	18	12	168	4,39
2"	50	50	23	150	270	104	18	12	301,3	7,33