

TECHNICAL DATA SERIES 85

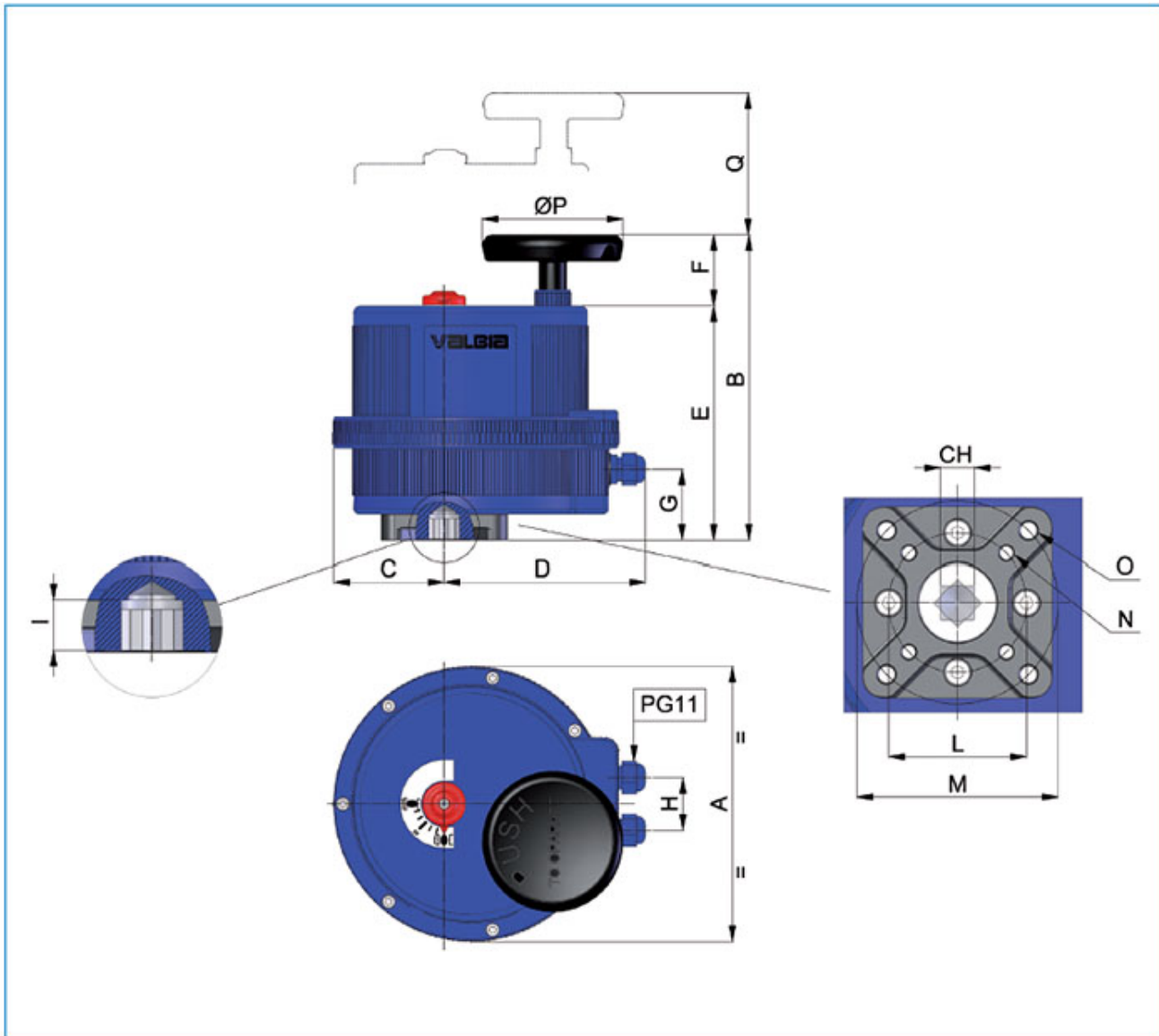
MODEL		VB030	
MAX WORKING TORQUE (Nm)		30	
NOMINAL TENSION (V)	LOW VOLTAGE	12V AC/DC	
		24V AC/DC	
	MULTIVOLTAGE	100-240V AC	
WORKING TIME (sec)		8	
TORQUE LIMITER		STD	
DUTY RATING	12V AC/DC	50%	
	24V AC/DC	75%	
	100-240V AC		
PROTECTION		IP67	
ENCLOSURE		TECHNOPOLYMER	
ROTATION		90°	
UPON REQUEST ROTATION		180° or 270°	
MANUAL OVERRIDE		STD	
POSITION INDICATOR		STD	
WORKING TEMPERATURE		-20°C + 55°C	
HEATER		STD	
ADDITIONAL FREE LIMIT SWITCHES		n°2 STD (type SPDT)	
DRILLING ISO 5211		*F03 - F05	
SQUARE (mm)		11	
SQUARE UPON REQUEST (mm)		9-14	
FAIL-SAFE OPERATION (BATTERY BACKUP)		UPON REQUEST	NOT AVAIIABLE FOR MOD. 12V
STD (4~20mA or 0~10 VDC) REVERSE (20~4mA or 10~0 VDC) MODE POSITIONER		UPON REQUEST	
MIDDLE POSITION		UPON REQUEST	
ROTARY POTENTIOMETER (5K Î© 1W)		UPON REQUEST	
ELECTRICAL CONNECTIONS		PG11	
WEIGHT (Kg)		2,30	

* F04 or F07 upon request

ELECTRIC ACTUATOR CONSUMPTION DATA

MODEL		VB030	
VERSION H	NOMINAL VOLTAGE	100-240V AC	
	ABSORBED CURRENT	0,4-0,2 A	
	ABSORBED POWER	40-48 VA	
VERSION L	NOMINAL VOLTAGE	12V AC/DC	24V AC/DC
	ABSORBED CURRENT	2,2-1,8 A	1-0,7 A
	ABSORBED POWER	26,5-22 VA	24-17 VA
	FREQUENCY	50/60 HZ	

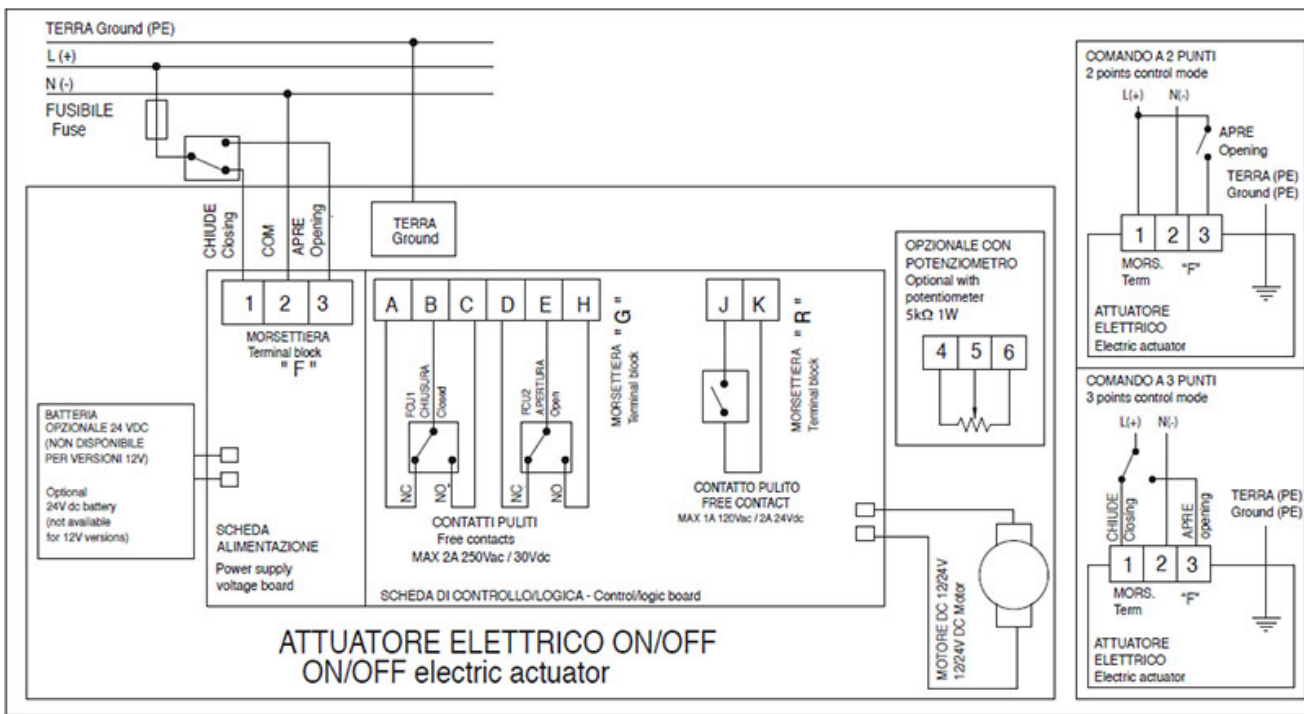
MOD. VB030



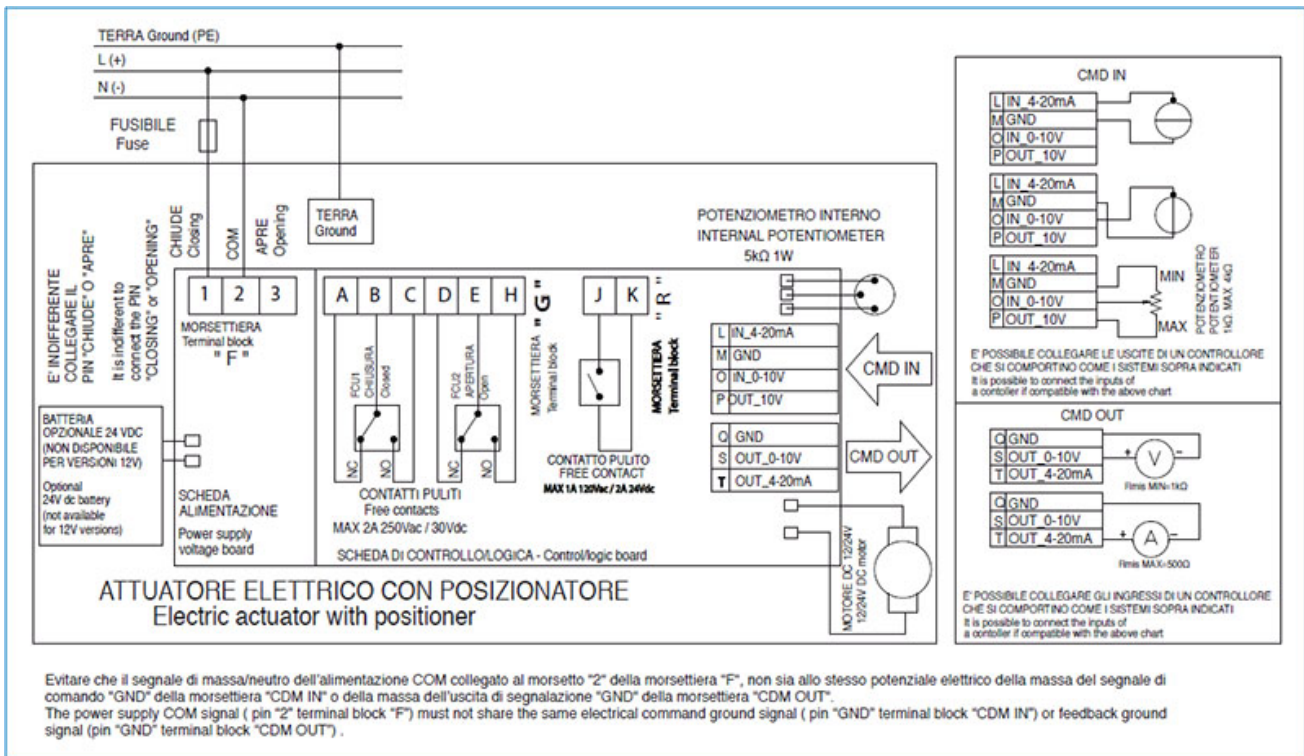
MOD.	DRILLING ISO 5211	CH	A	B	C	D	E	F	G	H	I	L	M	N	O	âP.	Q
VB030	F03-F05*	11	157	188	60,5	129,5	146	42	33	36	12	36	50	M5X12	M6X14	65	100

* Upon request F04 or F07

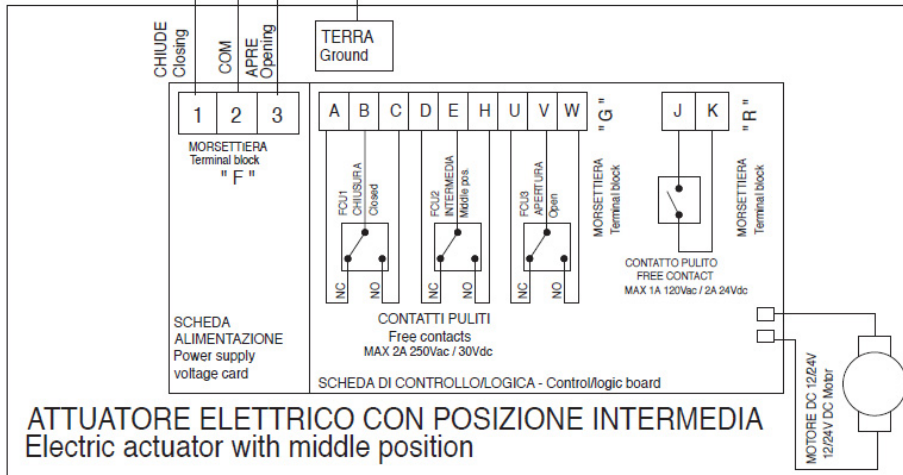
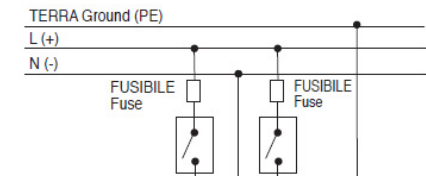
ELECTRIC WIRING VB030 12V AC/DC 50/60 Hz, 24V AC/DC 50/60 Hz, 100-240V AC 50/60 Hz



ELECTRIC WIRING WITH POSITIONER VB030 12V-24V AC/DC 50/60 HZ 12V AC/DC 50/60 Hz, 24V AC/DC 50/60 Hz, 100-240V AC 50/60 Hz



ELECTRIC WIRING WITH MIDDLE POSITION VB030 12V AC/DC 50/60 Hz, 24V AC/DC 50/60 Hz, 100-240V AC 50/60 Hz



ATTUATORE ELETTRICO CON POSIZIONE INTERMEDIA
Electric actuator with middle position

COMANDO ATTUATORE
Electric actuator

	SW1 CHIUSO/Closed	SW1 APERTO/Open
SW2 APERTO/Open	CHIUSURA Closing	-
SW2 CHIUSO/Closed	POS. INTERMEDIA Middle position	APERTURA Opening

