

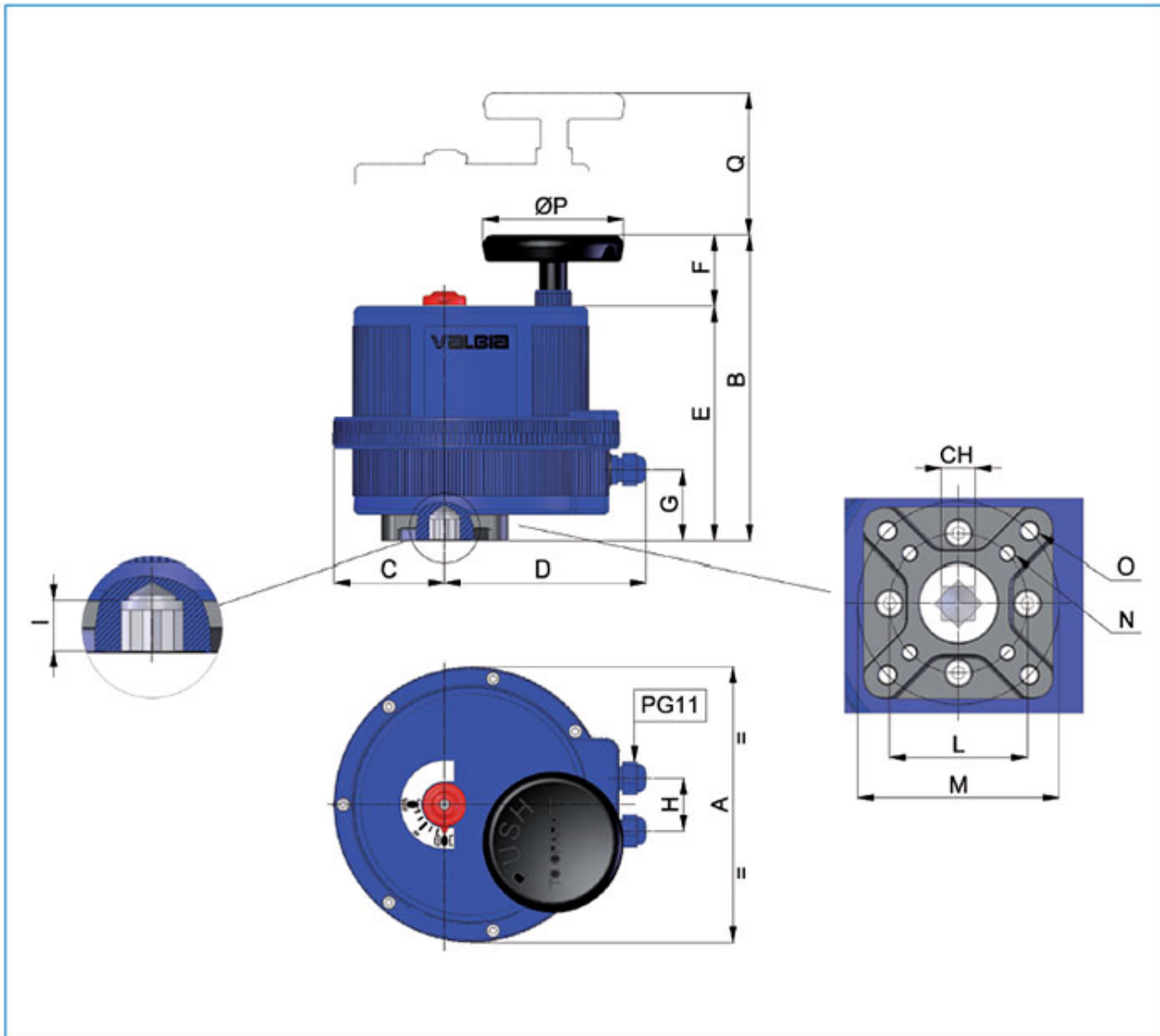
## TECHNICAL DATA SERIES 85

MODEL		VB060	
MAX WORKING TORQUE (Nm)		60	
NOMINAL TENSION (V)	LOW VOLTAGE	12V AC/DC	
		24V AC/DC	
	MULTIVOLTAGE	100-240V AC	
WORKING TIME (sec)		9	
TORQUE LIMITER		STD	
DUTY RATING	12V AC/DC	50%	
	24V AC/DC	75%	
	100-240V AC		
PROTECTION		IP67	
ENCLOSURE		TECHNOPOLYMER	
ROTATION		90°	
UPON REQUEST ROTATION		180° or 270°	
MANUAL OVERRIDE		STD	
POSITION INDICATOR		STD	
WORKING TEMPERATURE		-20°C + 55°C	
HEATER		STD	
ADDITIONAL FREE LIMIT SWITCHES		n°2 STD (type SPDT)	
DRILLING ISO 5211		F05 - F07	
SQUARE (mm)		14	
SQUARE UPON REQUEST (mm)		11-17	
FAIL-SAFE OPERATION (BATTERY BACKUP)		UPON REQUEST	NOT AVAIABLE FOR MOD. 12V
STD (4~20mA or 0~10 VDC) REVERSE (20~4mA or 10~0 VDC) MODE POSITIONER		UPON REQUEST	
MIDDLE POSITION		UPON REQUEST	
ROTARY POTENTIOMETER (5K $\hat{I}$ © 1W)		UPON REQUEST	
ELECTRICAL CONNECTIONS		PG11	
WEIGHT (Kg)		3,30	

## ELECTRIC ACTUATOR CONSUMPTION DATA

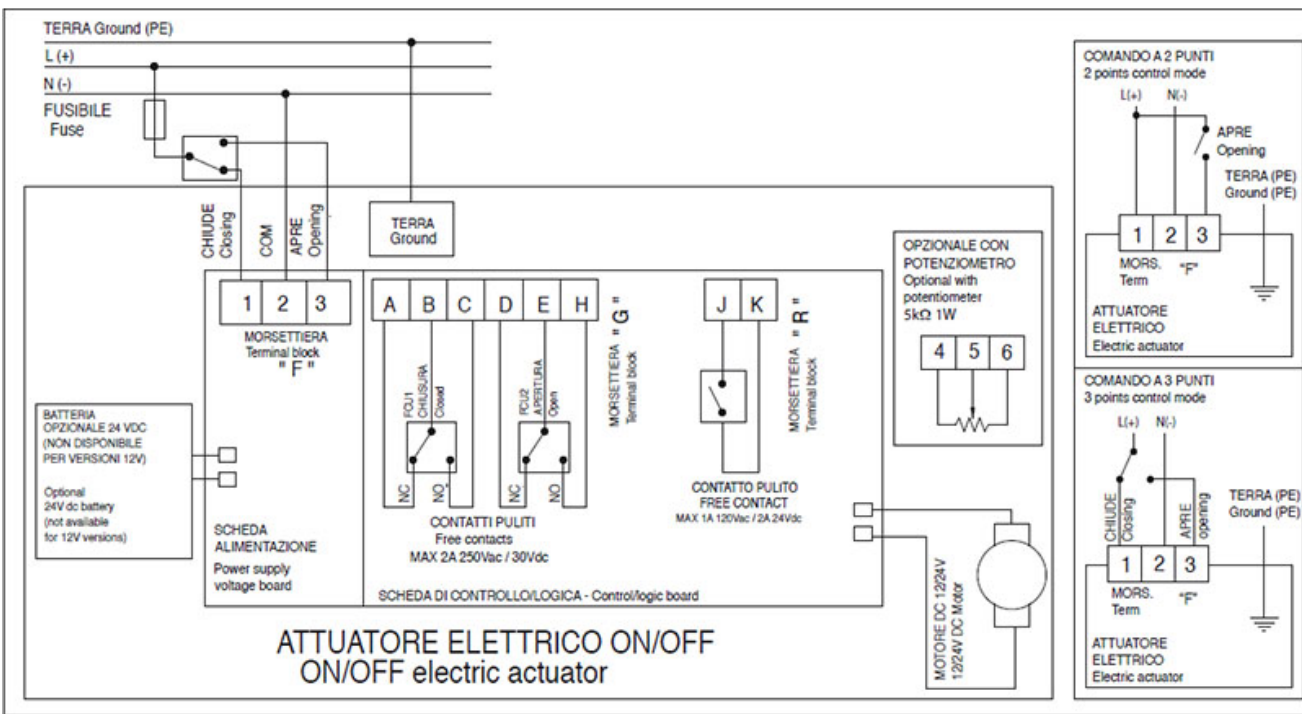
MODEL		VB060	
VERSION H	NOMINAL VOLTAGE	100-240V AC	
	ABSORBED CURRENT	0,6-0,3 A	
	ABSORBED POWER	60-72 VA	
VERSION L	NOMINAL VOLTAGE	12V AC/DC	24V AC/DC
	ABSORBED CURRENT	3,8-2,85 A	1,8-1,2 A
	ABSORBED POWER	46-34 VA	43-29 VA
	FREQUENCY	50/60 HZ	

MOD. VB060

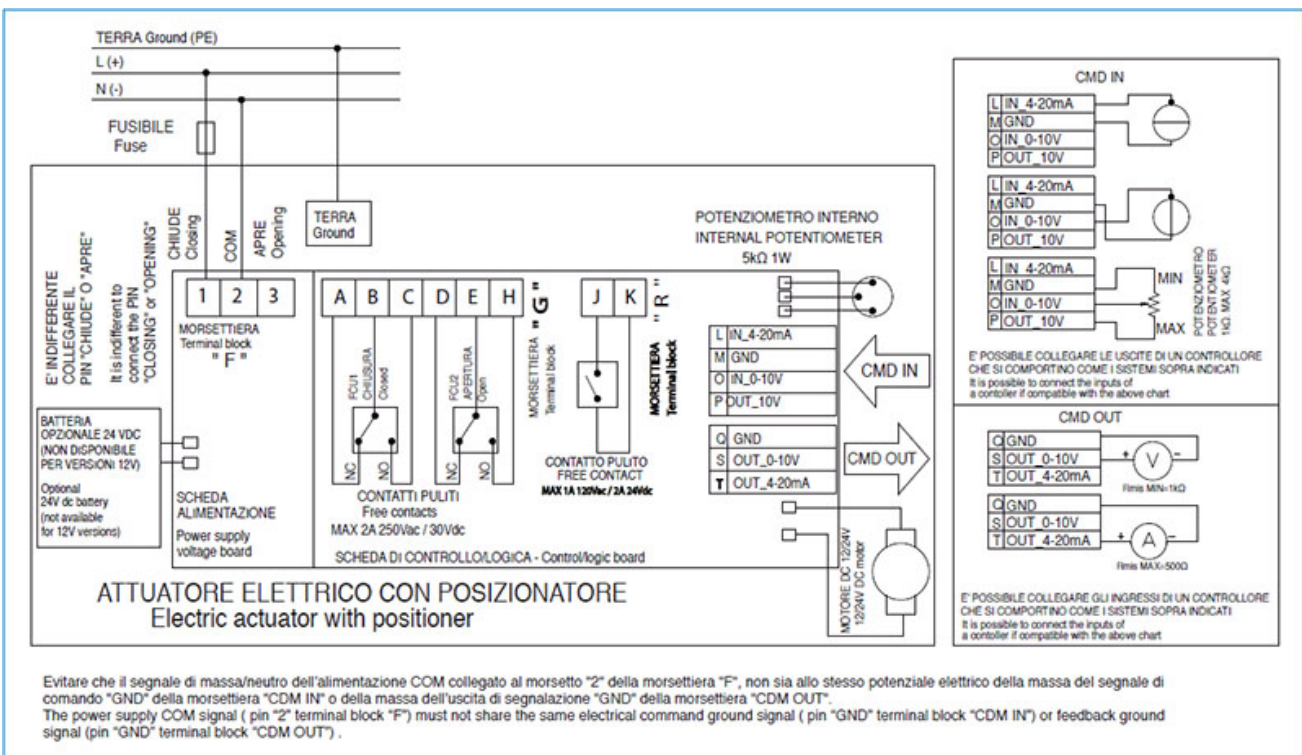


MOD.	DRILLING ISO 5211	CH	A	B	C	D	E	F	G	H	I	L	M	N	O	âP.	Q
VB060	F05-F07	14	185	215	67,5	146,5	173	42	51	36	15	50	70	M6X15	M8X17	65	100

**ELECTRIC WIRING VB060 12V AC/DC 50/60 Hz, 24V AC/DC 50/60 Hz, 100-240V AC 50/60 Hz**

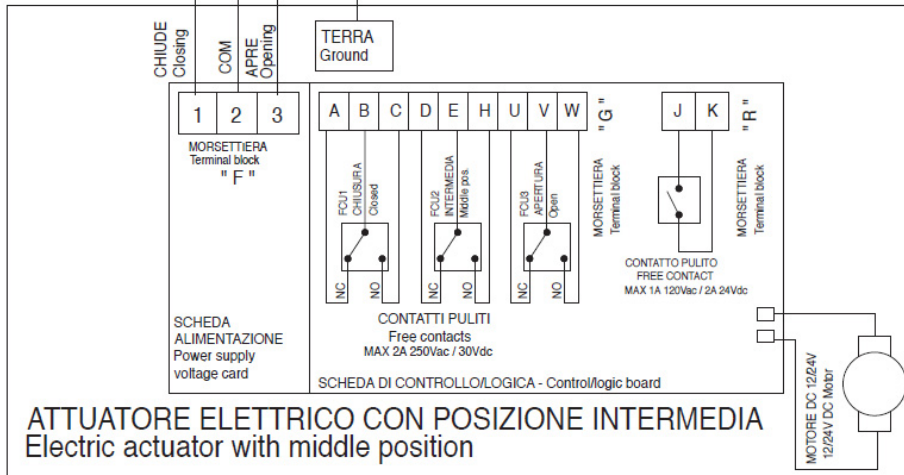
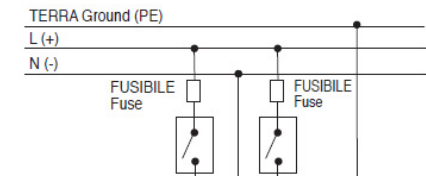


**ELECTRIC WIRING WITH POSITIONER VB060 12V-24V AC/DC 50/60 HZ 12V AC/DC 50/60 Hz, 24V AC/DC 50/60 Hz, 100-240V AC 50/60 Hz**



Evitare che il segnale di massa/neutro dell'alimentazione COM collegato al morsetto "2" della morsetteria "F", non sia allo stesso potenziale elettrico della massa del segnale di comando "GND" della morsetteria "CMD IN" o della massa dell'uscita di segnalazione "GND" della morsetteria "CMD OUT".  
The power supply COM signal ( pin "2" terminal block "F" ) must not share the same electrical command ground signal ( pin "GND" terminal block "CMD IN" ) or feedback ground signal ( pin "GND" terminal block "CMD OUT" ).

**ELECTRIC WIRING WITH MIDDLE POSITION VB060 12V AC/DC 50/60 Hz, 24V AC/DC 50/60 Hz, 100-240V AC 50/60 Hz**



**ATTUATORE ELETTRICO CON POSIZIONE INTERMEDIA**  
Electric actuator with middle position

**COMANDO ATTUATORE**  
Electric actuator

	SW1 CHIUSO/Closed	SW1 APERTO/Open
SW2 APERTO/Open	CHIUSURA Closing	-
SW2 CHIUSO/Closed	POS. INTERMEDIA Middle position	APERTURA Opening

