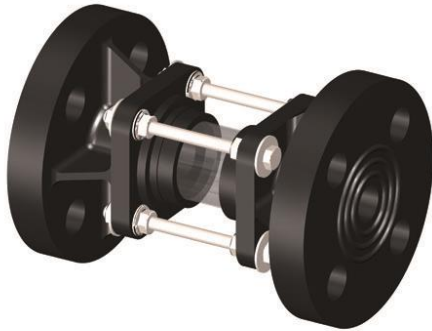
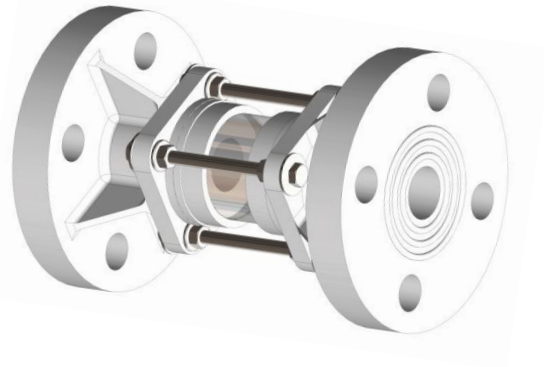


2-WAY - SIGHT GLASS

DN15 (1/2") to DN20 (3/4") – PPGF, PVDF, PP-EL



DN15 – PPGF



DN20 –PVDF

MAIN FEATURES

- The SAFI sight glasses, also called circulation controllers, allow you to directly observe the flow of the fluid in your process.
- The central tube in borosilicate glass, combined with the different grades of seals available, makes it possible to obtain an excellent resistance to the various products of the chemical industry.

Les descriptions et caractéristiques figurant sur ce document sont données uniquement à titre d'information et non d'engagement contractuel. SAFI se réserve le droit d'effectuer sans préavis, toute modification.
SAFI has a policy of continuously developing its product range and the above data is subject to change without prior notification.

Die Beschreibungen und Daten, die sich auf diesem Dokument befinden, sind rein informativ und unverbindlich. SAFI behält sich vor, ohne Vorankündigung Änderungen vorzunehmen, die als technisch notwendig erachtet werden.
Las descripciones y características que figuran en este documento son indicativas. En ningún caso son contractuales. SAFI se reserva el derecho sin previo aviso de efectuar cualquier modificación.

SAFI

Av. Jacques Moison – BP 1
26770 TAULIGNAN
FRANCE
Tél.: (+33) 4 75 53 56 29
Fax : (+33) 4 75 53 62 78
info@safi-valves.com

SAFI Limited

35 Holton Road
Holton Heath Trading Park
POOLE Dorset - BH16 6LT
UNITED KINGDOM
Tél.: (+44) 1202 624618
Fax : (+44) 1202 628500
sales@safi-valves.com

SAFI Deutschland

Kunststoffarmaturen
Vertriebs GmbH
Jahnstrasse 29
64319 PFUNGSTADT
DEUTSCHLAND
Tél. : (+49) 61 57 81 919
Fax : (+49) 61 57 82 025
info-deutschland@safi-valves.com

SAFI Fabrica de Valvulas

C/ Carboners, 35
Pol. Ind. La Cometa
43700 EL VENDRELL
TARRAGONA-ESPAÑA
Tel.: (+34) 977 665 147
Fax : (+34) 977 664 989
info@safi-valvulas.com

SAFI America

Las Garzas Trade Center
Las Garzas #950, B
Quilicura
SANTIAGO – CHILE
Tél.: (+56 2) 2 510 3500
Fax : (+56 2) 2 510 3507
info@safi-america.com

DIMENSIONS

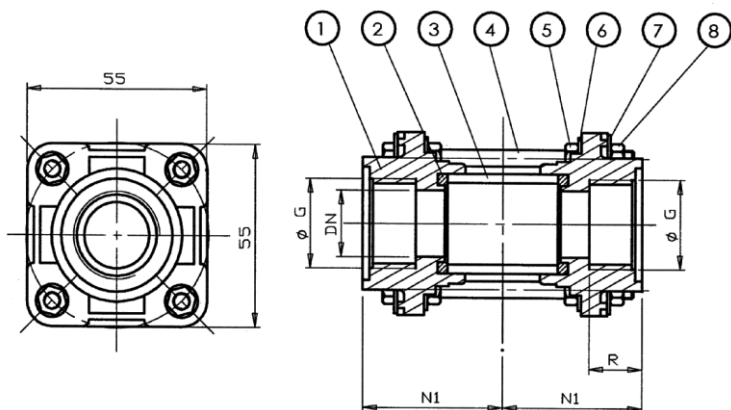
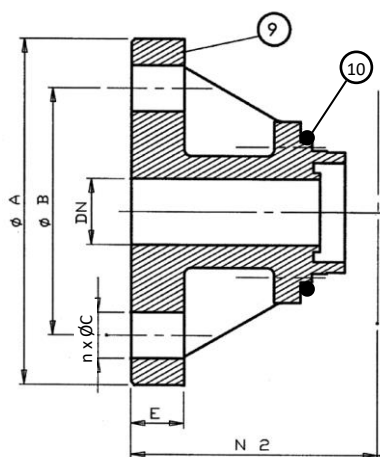


Diagram representing a DN15



Different types of fittings are available, consult the TDS-EQUIP-1003 product sheet.

Face to face (2xN2) in accordance with NF EN 558-1

| DN | A | ØB | | ØC | | n | E | ØG | L | M | N1 | N2 | R |
|----|-----|-----|------|-----|------|---|----|------------|----------|----|----|----|---|
| | | DIN | ANSI | DIN | ANSI | | | | | | | | |
| 15 | 95 | 65 | 60 | 14 | 16 | 4 | 14 | ½" GAS/NPT | 14-16 | 20 | 42 | 65 | |
| 20 | 105 | 75 | 70 | 14 | 16 | 4 | 16 | ¾" GAS/NPT | 16-19-25 | 25 | 42 | 75 | |

DIN = Drilling in accordance with EN 1092-1 PN10/PN1

ANSI = Drilling in accordance with EN1759-1/ASME B16.5 Class 150

| DN | Weight (in Kg) | | | | | |
|----|-----------------------------|----------------|-----------------------------|----------------|-----------------------------|----------------|
| | PPGF | | PP-EL | | PVDF | |
| | WITH 2 THREADED CONNECTIONS | WITH 2 FLANGES | WITH 2 THREADED CONNECTIONS | WITH 2 FLANGES | WITH 2 THREADED CONNECTIONS | WITH 2 FLANGES |
| 15 | 0,16 | 0,36 | 0,16 | 0,36 | 0,23 | 0,62 |
| 20 | 0,15 | 0,4 | 0,15 | 0,40 | 0,2 | 0,7 |

PARTS LIST

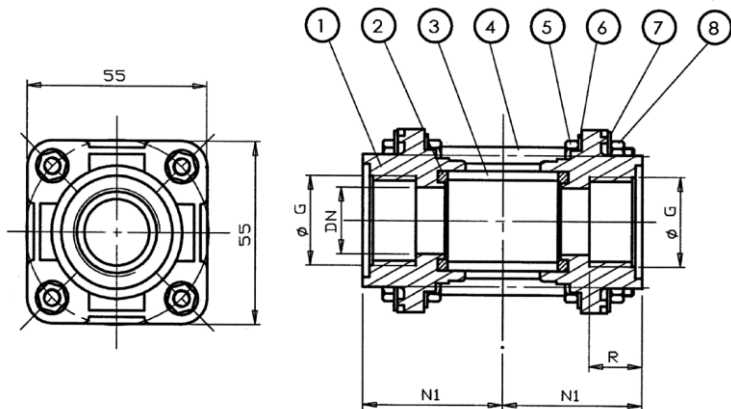
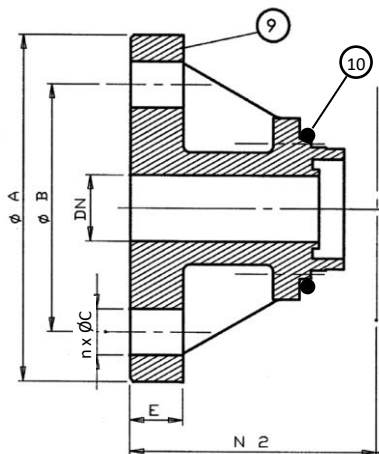


Diagram representing a DN15

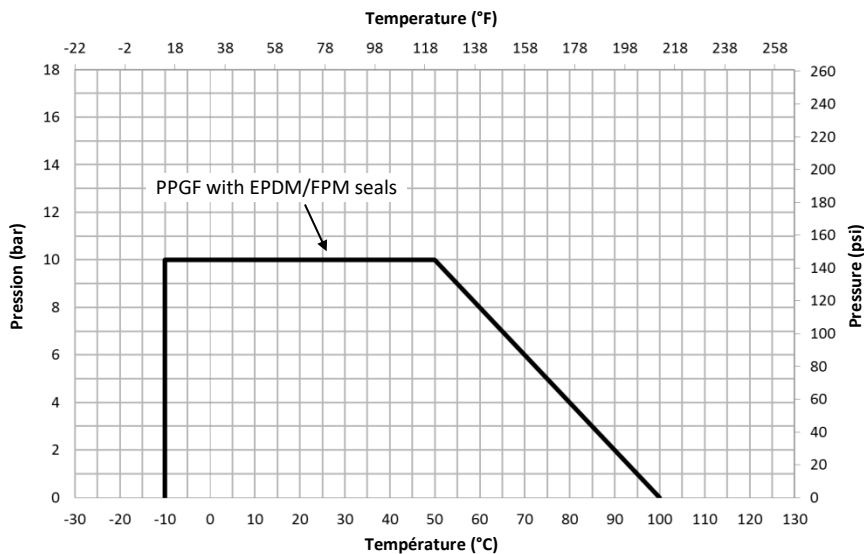


Different types of fittings are available, consult the TDS-EQUIP-1003 product sheet.

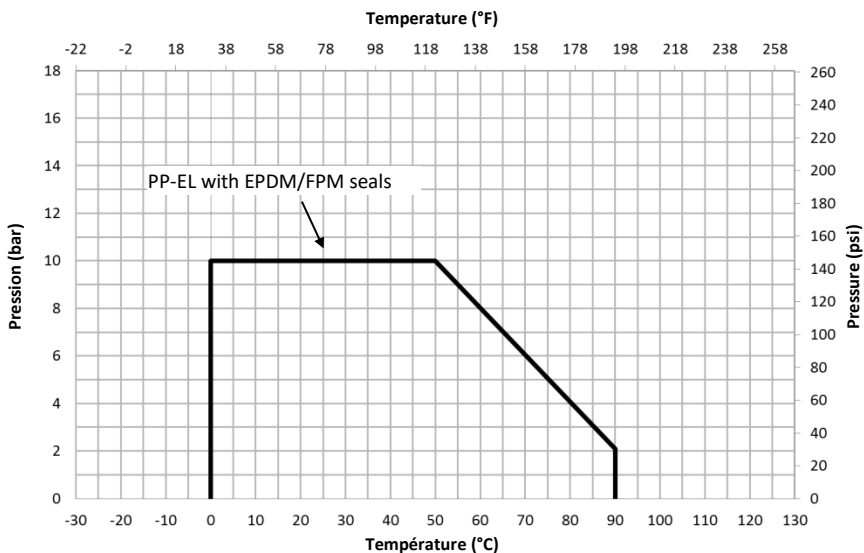
| N° | QTY | Description | Material |
|----|-----|---------------------|------------------------|
| 1 | 1 | Threaded Connection | PPGF, PVDF, PP-EL |
| 2 | 2 | O-ring | EPDM, FPM* |
| 3 | 1 | Tube | BOROSILICATE GLASS 3,3 |
| 4 | 4 | Screw TH M5x70 | SS 304 |
| 5 | 8 | Nut HU M5 | SS 304 |
| 6 | 8 | Washer M5x12 | SS 304 |
| 7 | 8 | Washer L5x12 | SS 304 |
| 8 | 4 | Nut HU M5 | SS 304 |
| 9 | 1 | Flange Connection | PPGF, PVDF, PP-EL |
| 10 | 1 | O-ring | EPDM, FPM* |

*FPM type SAFKM5

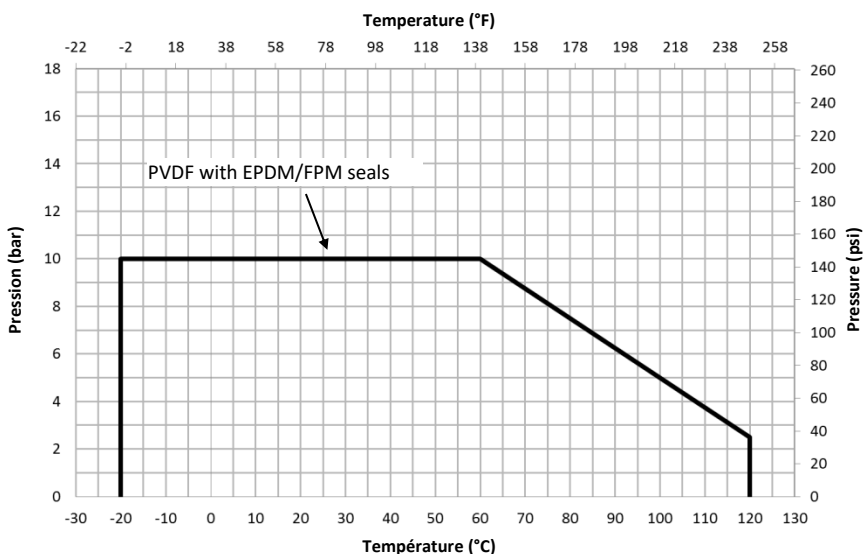
PRESSURE / TEMPERATURE CURVES



PPGF



PP-EL



PVDF

Les descriptions et caractéristiques figurant sur ce document sont données uniquement à titre d'information et non d'engagement contractuel. SAFI se réserve le droit d'effectuer sans préavis, toute modification.
SAFI has a policy of continuously developing its product range and the above data is subject to change without prior notification.

Die Beschreibungen und Daten, die sich auf diesem Dokument befinden, sind rein informativ und unverbindlich. SAFI behält sich vor, ohne Vorankündigung Änderungen vorzunehmen, die als technisch notwendig erachtet werden.
Las descripciones y características que figuran en este documento son indicativas. En ningún caso son contractuales. SAFI se reserva el derecho sin previo aviso de efectuar cualquier modificación.

Pressure/Temperature Summary

| DN | WORKING PRESSURE | | |
|----|------------------|-----------------|-----------------|
| | PPGF | PVDF | PP-EL |
| 15 | 10 bars at 20°C | 10 bars at 20°C | 10 bars at 20°C |
| 20 | 10 bars at 20°C | 10 bars at 20°C | 10 bars at 20°C |

| Type of Seals | WORKING TEMPERATURE | | |
|---------------|---------------------|------------------|---------------|
| | PPGF | PVDF | PP-EL |
| EPDM/FPM | -10°C to + 100°C | -20°C to + 120°C | 0°C to + 90°C |

DETERMINING A PRODUCT CODE

| TYPE | SPECIFICATION | DN | Fitting (Inlet) | Fitting (Outlet) | Seals |
|---------------------------------------|---------------|------------------|--|--|--|
| 2030 : Sight Glass in PPGF | - = Standard | 00 = DN15 | A = BSP Threaded Socket F = Flange with drilling in accordance with EN1092-1 PN10/PN16 (DIN) G = Flange with drilling in accordance with EN1759-1/ASME B16.5 Class 150 (ANSI) Different types of fittings are available, consult the TDS-EQUIP- 1003 product sheet. | A = BSP Threaded Socket F = Flange with drilling in accordance with EN1092-1 PN10/PN16 (DIN) G = Flange with drilling in accordance with EN1759-1/ASME B16.5 Class 150 (ANSI) Different types of fittings are available, consult the TDS-EQUIP- 1003 product sheet. | E = EPDM V = FPM SAFKM5 (for type 2030 and 2800) Z = FPM SAFKM5 (for type 2043) |
| 2043 : Sight Glass in PVDF | | 01 = DN20 | | | |
| 2800 : Sight Glass in PP-EL | | | | | |

Example : 2030-04AFV

| 2030 | - | 01 | A | F | V |
|-----------------------|----------|------|---------------------|---|------------------|
| Sight Glass in PPH | Standard | DN20 | BSP Threaded Socket | Flange with drilling in accordance with EN 1092-1 PN10/PN16 (DIN) | FPM SAFKM5 Seals |

Example : 2043-02GGZ

| 2043 | - | 00 | G | G | Z |
|------------------------|----------|------|--|--|------------------|
| Sight Glass in PVDF | Standard | DN15 | Flange with drilling in accordance with EN1759- 1/ASME B16.5 Class 150 (ANSI) | Flange with drilling in accordance with EN1759- 1/ASME B16.5 Class 150 (ANSI) | FPM SAFKM5 Seals |