**HIGHLIGHTS**

- 2/2 way direct acting N.C.
- 0 – 25 bar
- Seals/Tenuta:  
EPDM, PTFE, RULON
- Water, Air, Steam, Light Oils
- Serviceable
- Core tube made in stainless steel
- Body valve made in nickel-plated brass (9922)
- Sealing seat in stainless steel (9922)
- 3 pole connector IP65 included - UNI ISO 4400 (DIN 43650A)

**PRODUCT DESCRIPTION**

Solenoid valve direct acting with flow rate regulation, 2/2 way normally closed. The valve has 90° connections G 1/4". Available with different types of seals, it is suitable for various fluids and applications. Especially indicated for steam applications, such as Coffee and professional steam iron station. Valve supplied with three pole connector IP65 - UNI ISO 4400 (DIN 43650A).

**DESCRIZIONE PRODOTTO**

*Elettrovalvola ad azionamento diretto con regolatore di portata, 2/2 vie normalmente chiusa. La valvola ha le connessioni a 90° e da G 1/4". È disponibile con diversi tipi di tenuta, è compatibile con vari tipi di fluido e applicazioni. Particolarmente indicata per applicazioni con vapore, come ad esempio caffè e macchine da stiro professionale.*

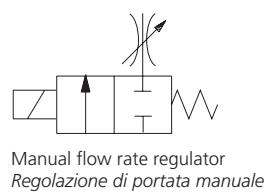
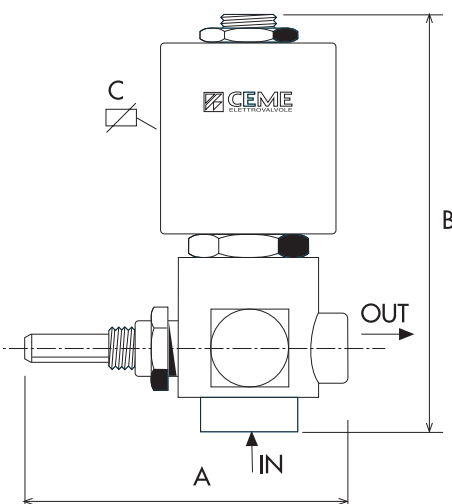
*Elettrovalvola fornita con connettore tripolare P65 - UNI ISO 4400 (DIN 43650A).*

**GENERAL FEATURES / CARATTERISTICHE GENERALI**

Body material / Materiale corpo	Brass (nickel-plated 9922)		
Seal material / Materiale di tenuta	EPDM	PTFE	RULON
Fluid Temp. °C / Temp. fluido °C	155	180	180
Tube material / Materiale tubo	Stainless Steel		
Working fluids / Applicazioni Fluidi	Air, Water, Steam, Light Oils		
Electrical connect. / Connes. elettrica	6,3 x 0,8 fast-on terminal - UNI ISO 4400		
Insulation class / Classe di isolamento	H		
Ambient temp. / Temp. ambiente	80°C		
	Coil Power / Potenza bobina		
220-230 VAC 50-60Hz Approvals: CE; VDE	20VA	18.5VA	16 W
100-120 VAC 60Hz Approvals: CE; UL	20VA	18.5VA	CE
12-24 VDC Approvals: CE	14W	14W	

**SPECIFICATIONS / CARATTERISTICHE**

CONNECTION	ORIFICE Ø (mm)	KV m³/h	M.O.P.D. (bar)		DIMENSIONS (mm)			CODE
			AC	DC	A	B	C	
G 1/4	2.8	0.200	11	6	57	91	60	9922
G 1/4	3.5	0.220	10	5	57	91	60	9922
G 1/4	5.5	0.510	6	2	57	91	60	9922
G 1/4	2.4	0.170	25	20	66	91	60	9934
G 1/4	2.8	0.200	25	8	66	91	60	9934

**HYDRAULIC CONNECTION****2/2 WAY NC**

IN/OUT G 1/4 9922	IN/OUT G 1/4 9934
