

1" VALVES



SCREW - SMALL BODY

AE1822B With Pilot group

The classic 90° valve with female thread



PRODUCT CERTIFICATIONS

STANDARD



OPZIONALI



VALVE TECHNICAL FEATURES

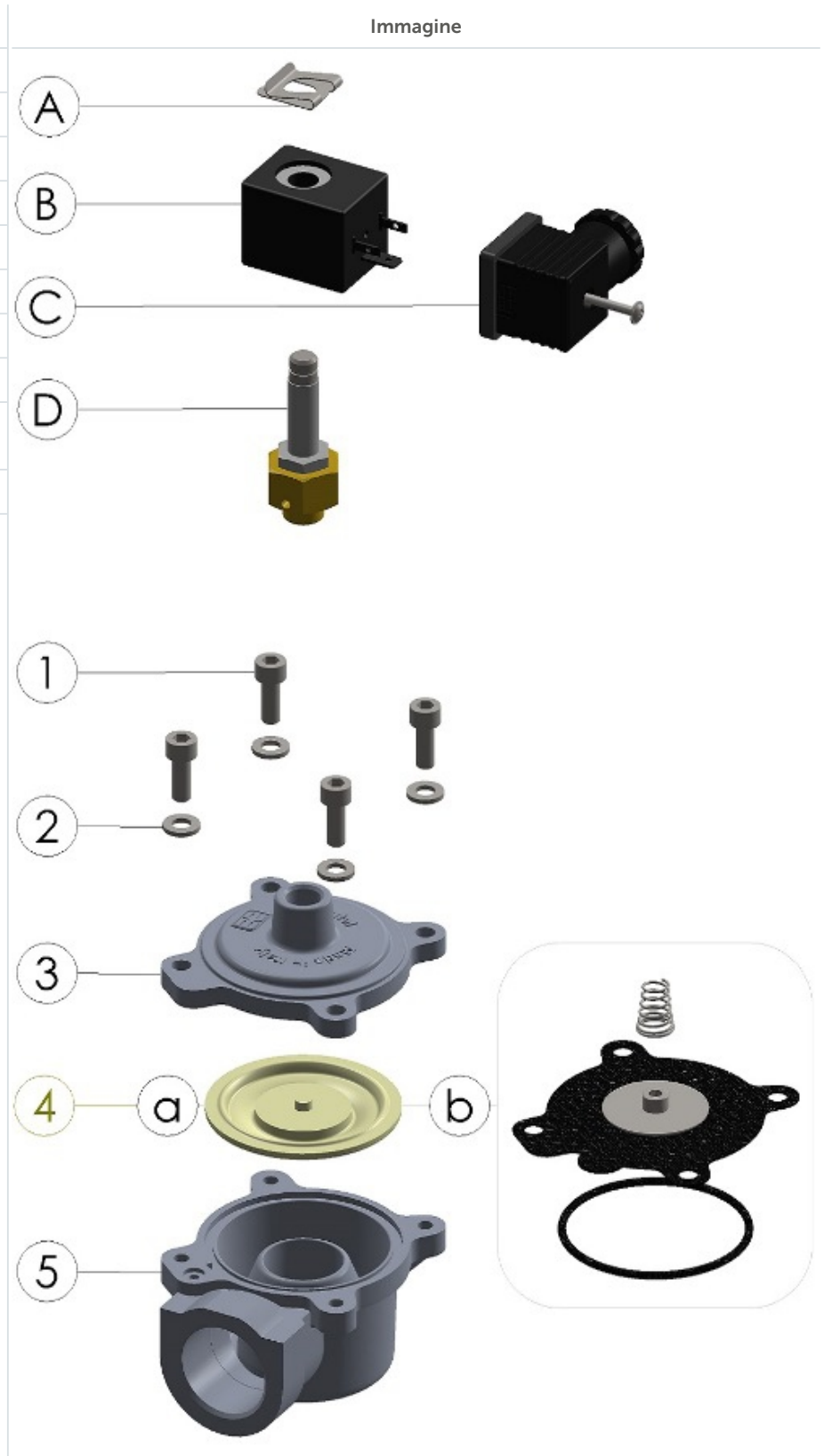
Features	Values
Out	1" Gas
In	1" Gas
Working Pressure	1,5-8 bar
Standard Temperature Range	-40 °C ; +100 °C
High Range Temperature	-20 °C ; +200 °C
Kv	21 m ³ /h
Weight	0.49 kg
Protection Level	IP65

VALVE TECHNICAL FEATURES

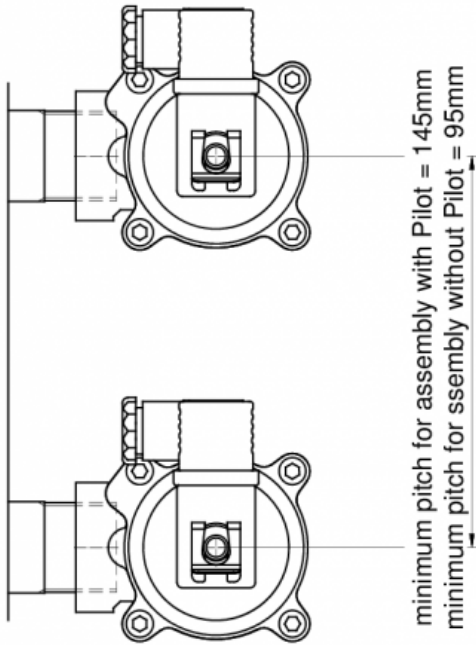
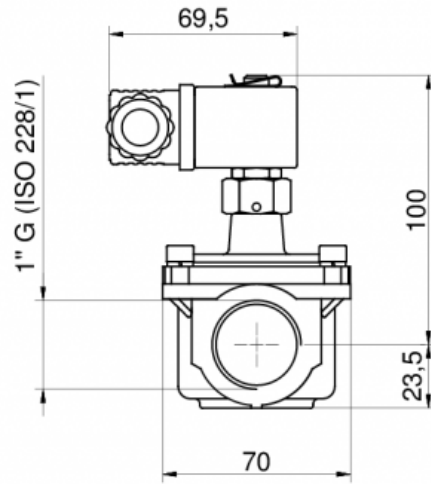
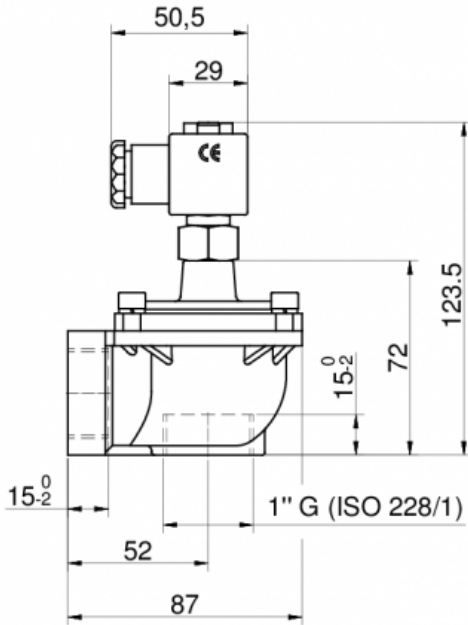
Features		Values
Air quality classes (ISO 8573-1)	For Solid	2
	For Water with $T > +3^{\circ}\text{C}$	4
	For Water with $-20^{\circ}\text{C} < T < +3^{\circ}\text{C}$	3
	For Water with $-40^{\circ}\text{C} < T < -20^{\circ}\text{C}$	2
	For Oil	1

PARTS LIST

No.	Description	Material
A	Clip	CS Galvanized
B	Coil	PA
C	Connector	PA + NBR
D	Pilot	SS + Brass
1	Screw M6	SS
2	Washer	SS
3	Cover	Die Cast Alu
4a	STD Diaphragm 1"	TPE
4b	HT Diaphragm 1" Kit	VITON+PTFE
5	Body 1" Screw	Die Cast Alu



DIMENSIONAL LAYOUT



CONSUMPTION GRAPHS

