

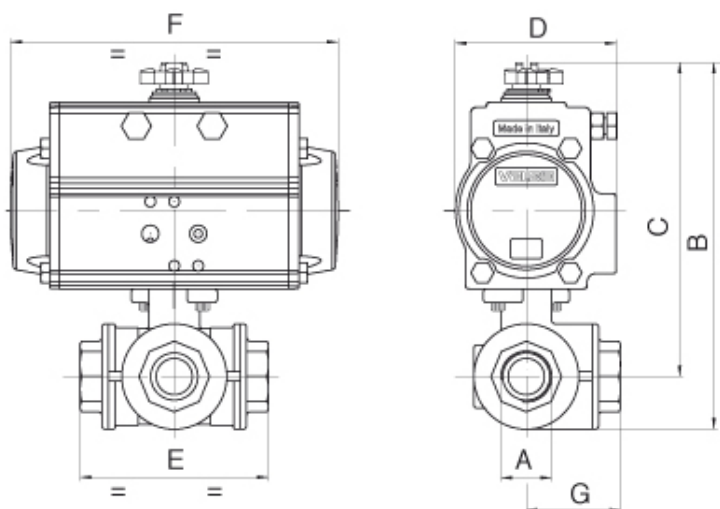


Serie **3 vie**

Articolo **8P008300 (T) - 8P008500 (T) - 8P008400 (L) - 8P008600 (L)**

3 way brass ball valve CW 617N [RB Artt. 3500 (T) - 3600 (L)], seals in PTFE + VITON, threaded F/F/F, FULL bore, "T" or "L" port, with actuator. Not suitable for use with solvents.

PRESSIONE MINIMA ALIMENTAZIONE ATTUATORE 6 bar actuator air supply pressure minimum 6 bar



Art. 8P008300 (T) - 8P008400 (L)

VALVOLA CON ATTUATORE DOPPIO EFFETTO VALVE WITH DOUBLE ACTING ACTUATOR

PN	30	30	30	30	16	10	10	10
DN - A	1/4"	3/8"	1/2"	3/4"	1"	1"1/4	1"1/2	2"
B	113	113	118	167	179	197	230	272
C	96	96	98	143	149	161	187	216
D	45	45	45	71	71	71	81	95
E	67	67	77	87	105	123	139	166
F	110	110	110	141	141	141	164	210
G	34	34	39	44	53	62	70	83
ACT.	DA 32	DA 32	DA 32	DA 52	DA 52	DA 52	DA 63	DA 75
RI	4022	4022	4022	4023	4023	4023	4024	4026

Art. 8P008500 (T) - 8P008600 (L)

VALVOLA CON ATTUATORE SEMPLICE EFFETTO VALVE WITH SPRING RETURN ACTUATOR

PN	30	30	30	30	16	10	10	10
DN - A	1/4"	3/8"	1/2"	3/4"	1"	1"1/4	1"1/2	2"
B	149	149	154	179	190	209	262	299
C	132	132	134	155	160	173	219	243
D	71	71	71	81	81	81	106	123
E	67	67	77	87	105	123	139	166
F	141	141	141	164	164	164	241	275
G	34	34	39	44	53	62	70	83
ACT.	SR 52	SR 52	SR 52	SR 63	SR 63	SR 63	SR 85	SR 100
RI	3798	3798	3798	4025	4025	4025	4026	4026

IN FASE D'ORDINE DEFINIRE LA POSIZIONE DELLA SFERA - PLEASE SPECIFY THE FLOW PATH WHILE ORDERING.

