

1" VALVES



SCREW - SMALL BODY AE2822B With Pneumatic Valve

The classic 90° valve with female thread



PRODUCT CERTIFICATIONS

STANDARD



OPZIONALI



VALVE TECHNICAL FEATURES

Features	Values
Out	1" Gas
In	1" Gas
Working Pressure	1,5-8 bar
Standard Temperature Range	-40 °C ; +100 °C
High Range Temperature	-20 °C ; +200 °C
Kv	21 m ³ /h
Weight	0.29 kg
Protection Level	IP65

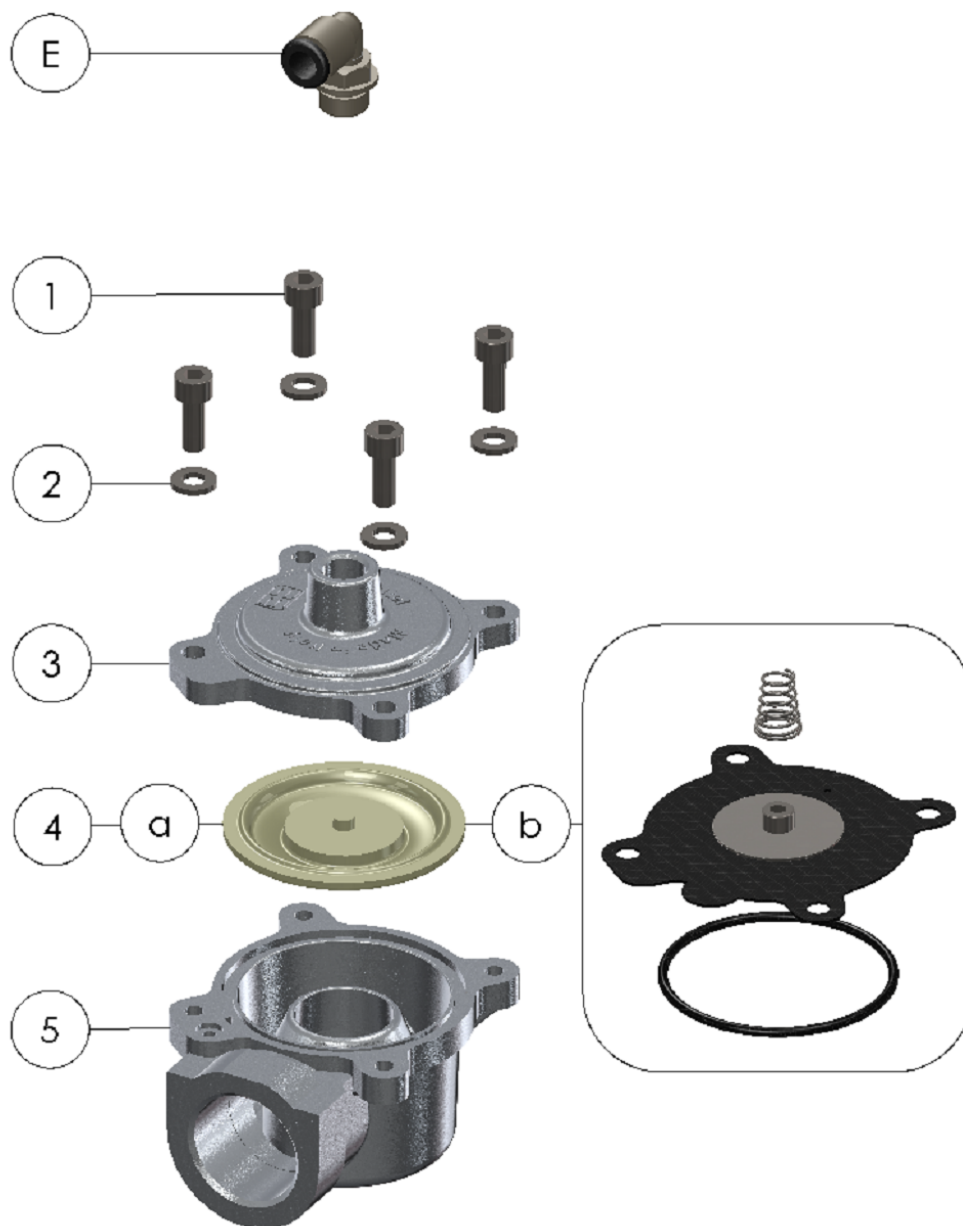
VALVE TECHNICAL FEATURES

Features		Values
Air quality classes (ISO 8573-1)	For Solid	2
	For Water with $T > +3^{\circ}\text{C}$	4
	For Water with $-20^{\circ}\text{C} < T < +3^{\circ}\text{C}$	3
	For Water with $-40^{\circ}\text{C} < T < -20^{\circ}\text{C}$	2
	For Oil	1

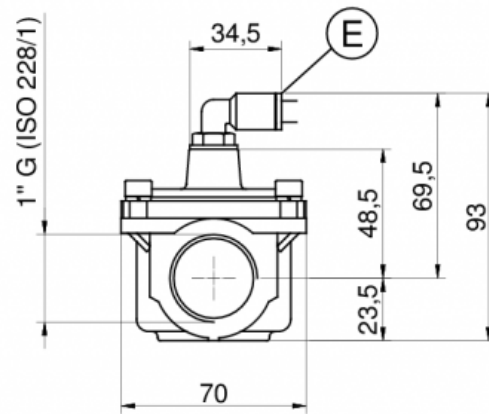
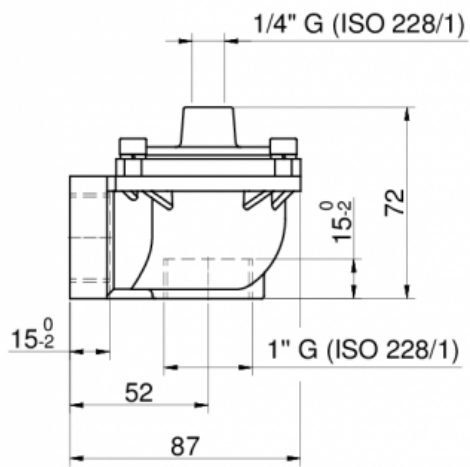
PARTS LIST

No.	Description	Material
1	Screw M6	SS
2	Washer	SS
3	Cover 3/4"	Die Cast Alu
4a	STD Diaphragm 1"	TPE
4b	HT Diaphragm 1" Kit	VITON+PTFE
5	Body 1" Screw	Die Cast Alu
E	Optional Fitting	Nickeled Brass

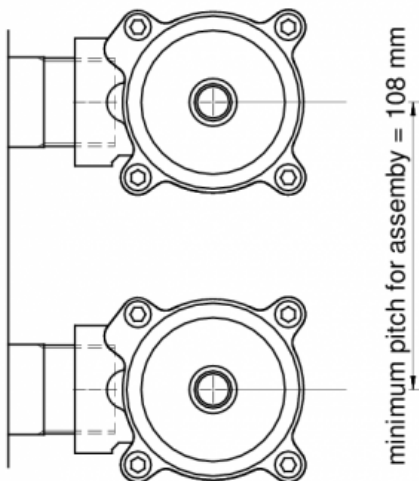
Immagine



DIMENSIONAL LAYOUT



(E) Dimension with optional fitting for rilsan pipe \varnothing 8 mm



minimum pitch for assembly = 108 mm

CONSUMPTION GRAPHS

