

## 2" VALVES



# SCREW CONNECTION AE2450B With Pneumatic Valve

*The classic 90° valve with female thread*



### PRODUCT CERTIFICATIONS

STANDARD



OPZIONALI



### VALVE TECHNICAL FEATURES

Features	Values
Out	2" Gas
In	2" Gas
Working Pressure	1,5-8 bar
Standard Temperature Range	-40 °C ; +100 °C
High Range Temperature	-20 °C ; +200 °C
Kv	93 m <sup>3</sup> /h
Weight	2.1 kg
Protection Level	IP65

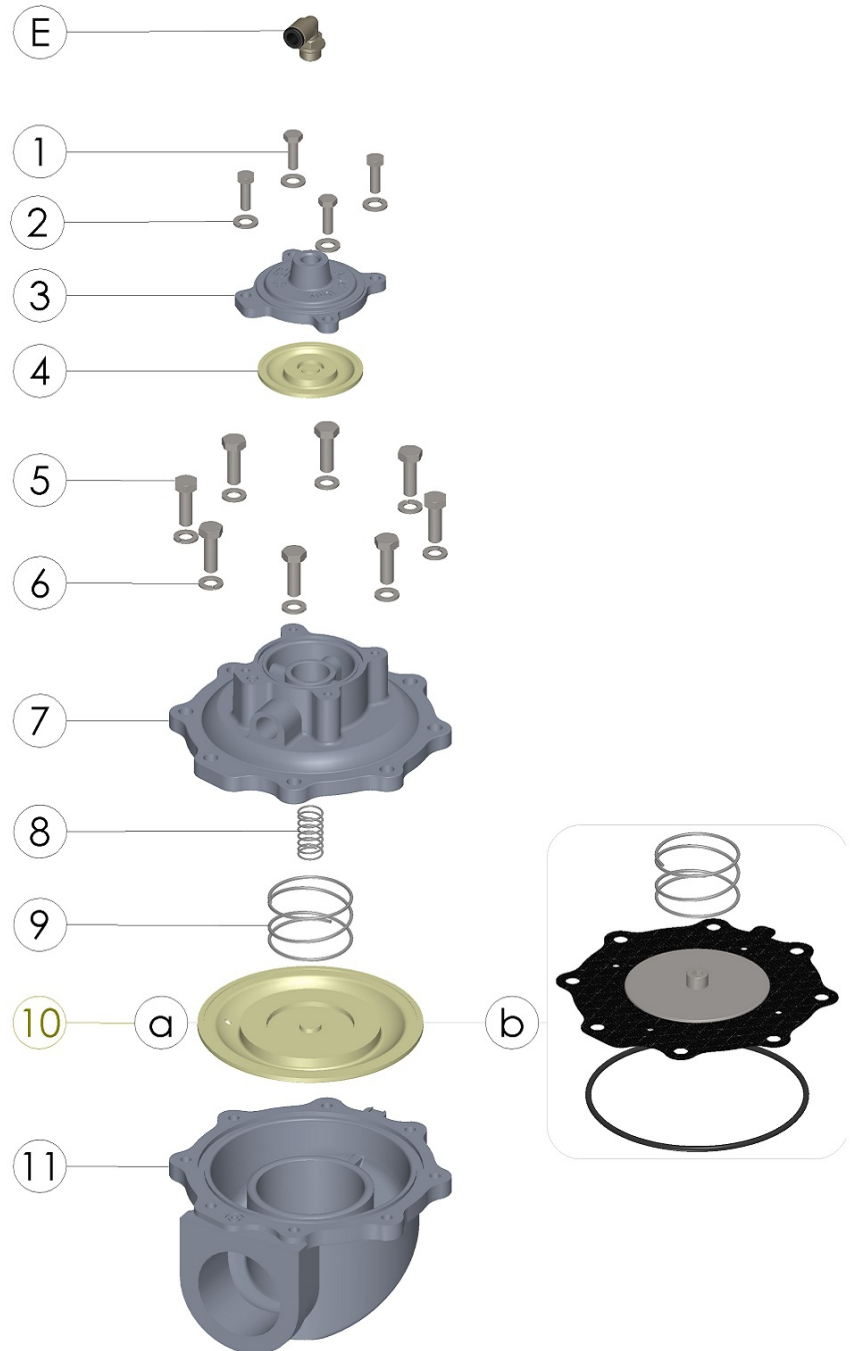
**VALVE TECHNICAL FEATURES**

Features		Values
Air quality classes ( ISO 8573-1)	For Solid	2
	For Water with $T > +3^{\circ}\text{C}$	4
	For Water with $-20^{\circ}\text{C} < T < +3^{\circ}\text{C}$	3
	For Water with $-40^{\circ}\text{C} < T < -20^{\circ}\text{C}$	2
	For Oil	1

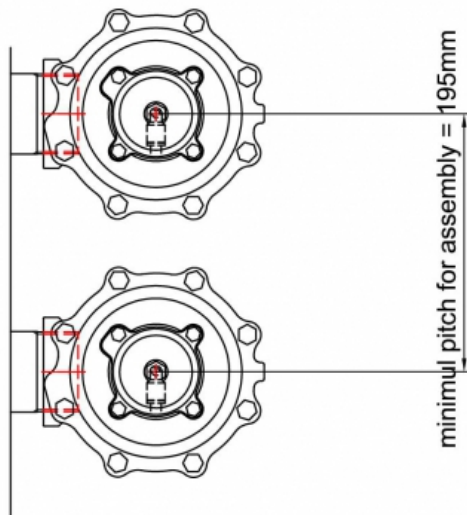
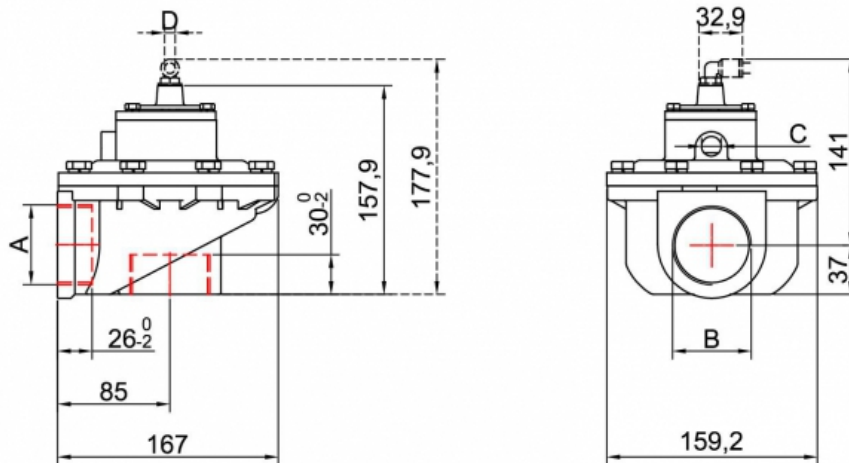
## PARTS LIST

No.	Description	Material
1	Screw M6	SS
2	Washer	SS
3	Cover 3/4"	Die Cast Alu
4	Diaphragm 3/4"	TPE
5	Screw M8	SS
6	Washer	SS
7	Cover 2"	Die Cast Alu
8	Spring	SS
9	Spring	SS
11	Body 2" Screw	Die Cast Alu
10a	STD Diaphragm 2"	TPE
10b	HT Diaphragm 2" Kit	VITON+PTFE
E	Optional Fitting	Nickeled Brass

## Immagine



## DIMENSIONAL LAYOUT



## HOLES CHARACTERISTICS

HOLES	STANDARD	OPTIONAL
A	2" G (ISO 228/1)	-
B	2" G (ISO 228/1)	-
C	3/8" G (ISO 228/1)	-
D		1/4" G (ISO 228/1)
		Rilsan 8mm - 5/16"

**CONSUMPTION GRAPHS**

