

## 1" VALVES



# INTEGRATED FOR Ø 6 " TANK

## AE1825I06 With Pilot group

High performance valves integrated in the tank



### PRODUCT CERTIFICATIONS

STANDARD



OPZIONALI



### VALVE TECHNICAL FEATURES

Features	Values
Out	Pipe 1"
Working Pressure	1,5-8 bar
Standard Temperature Range	-40 °C ; +100 °C
High Range Temperature	-20 °C ; +200 °C
Kv	30 m <sup>3</sup> /h
Weight	1,4-1,6 kg
Protection Level	IP65

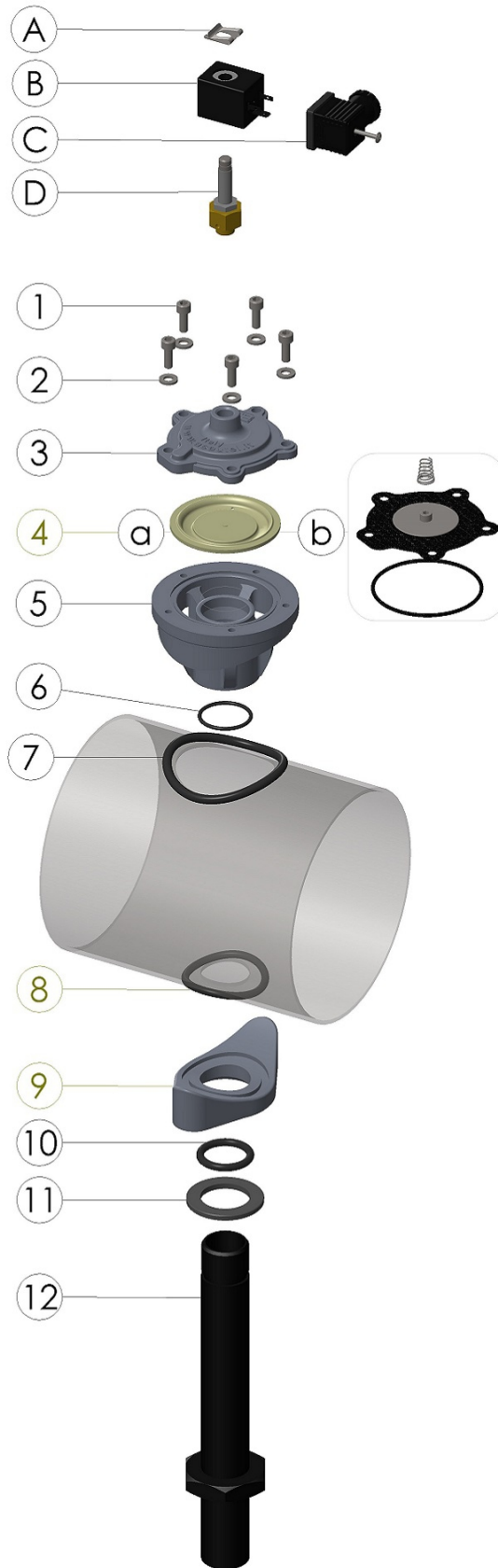
**VALVE TECHNICAL FEATURES**

Features		Values
Air quality classes ( ISO 8573-1)	For Solid	2
	For Water with $T > +3^{\circ}\text{C}$	4
	For Water with $-20^{\circ}\text{C} < T < +3^{\circ}\text{C}$	3
	For Water with $-40^{\circ}\text{C} < T < -20^{\circ}\text{C}$	2
	For Oil	1

## PARTS LIST

No.	Description	Material
A	Clip	CS Galvanized
B	Coil	PA
C	Connector	PA + NBR
D	Pilot	SS + Brass
1	Screw M6	SS
2	Washer	SS
3	Cover 1"	Die Cast Alu
4a	STD Diaphragm 1 "	TPE
4b	HT Diaphragm 1 " Kit	VITON+PTFE
5	Body 1" Integrated	Die Cast Alu
6	Body Pipe O'Ring	NBR
7	Body Tank O' Ring	NBR
8	Clamp Tank O'Ring	NBR
9	Clamp 1"	Die Cast Alu
10	Pipe Clamp O'Ring	NBR
11	Washer 1"	Pa 6,6+ Ela
12	Blow Pipe 1"	CS or SS

### Imagine



**CONSUMPTION GRAPHS**

