

1" 1/2 VALVES



INTEGRATED DOUBLE STAGE FOR Ø 6 " TANK

AE1440I06 With Pilot group

High performance valves integrated in the tank



PRODUCT CERTIFICATIONS

STANDARD



OPZIONALI



VALVE TECHNICAL FEATURES

Features	Values
Out	Pipe 1"1/2
Working Pressure	1,5-8 bar
Standard Temperature Range	-40 °C ; +100 °C
High Range Temperature	-20 °C ; +200 °C
Kv	62 m ³ /h
Weight	2.8-3 kg
Protection Level	IP65

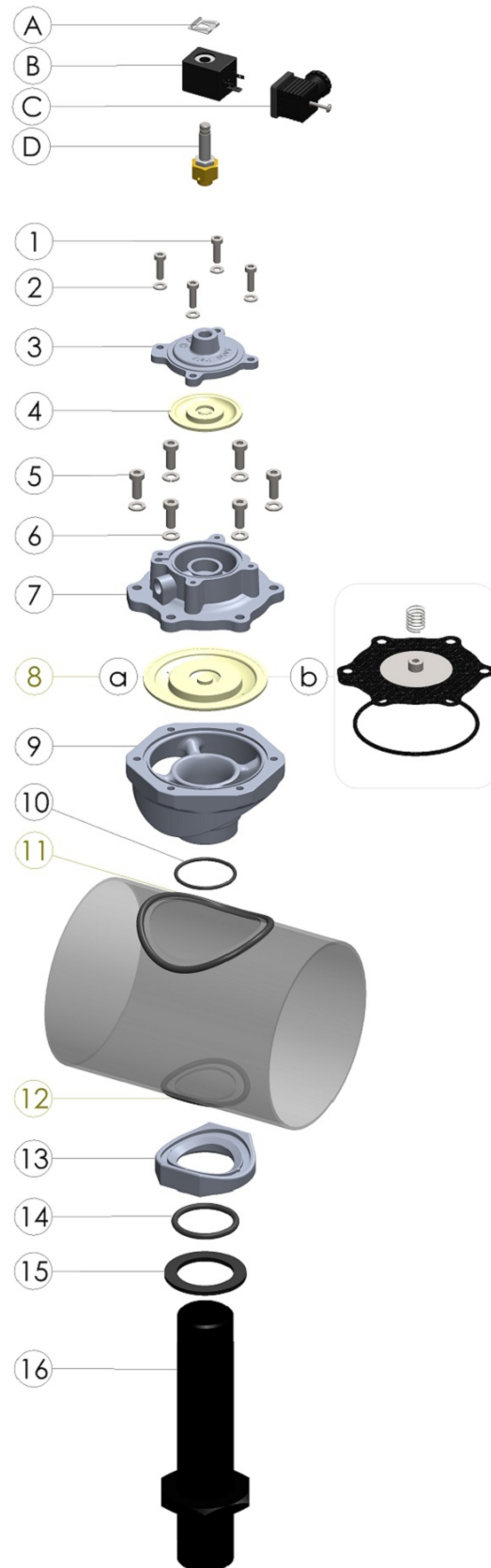
VALVE TECHNICAL FEATURES

Features		Values
Air quality classes (ISO 8573-1)	For Solid	2
	For Water with $T > +3^{\circ}\text{C}$	4
	For Water with $-20^{\circ}\text{C} < T < +3^{\circ}\text{C}$	3
	For Water with $-40^{\circ}\text{C} < T < -20^{\circ}\text{C}$	2
	For Oil	1

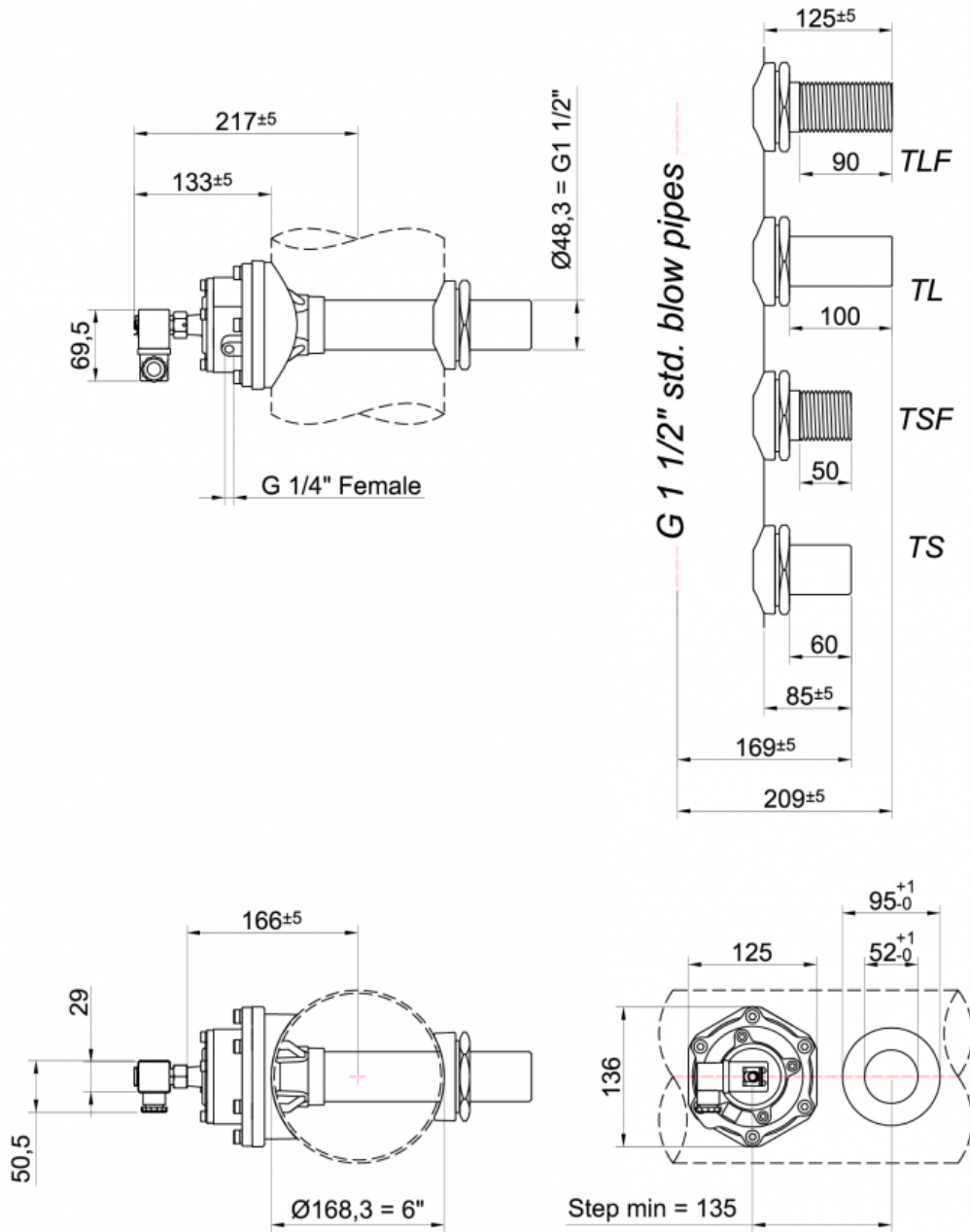
PARTS LIST

No.	Description	Material
A	Clip	CS Galvanized
B	Coil	PA
C	Connector	PA + NBR
D	Pilot	SS + Brass
1	Screw M6	SS
2	Washer	SS
3	Cover 3/4 "	Die Cast Alu
4	Diaphragm 3/4"	TPE
5	Screw M8	SS
6	Washer	SS
7	Cover 1" 1/2	Die Cast Alu
8a	STD Diaphragm 1" 1/2	TPE
8b	HT Diaphragm 1" 1/2	VITON+PTFE
9	Body 1 "1/2 Integrated	Die Cast Alu
10	Body Pipe O'Ring	NBR
11	Body Tank O'Ring	NBR
12	Clamp Tank O'Ring	NBR
13	Clamp 1" 1/2	Die Cast Alu
14	Pipe Clamp O'Ring	NBR
15	Washer 1" 1/2	Pa 6,6+ Ela
16	Blow Pipe 1" 1/2	CS or SS

Imagine



DIMENSIONAL LAYOUT



CONSUMPTION GRAPHS

