

## 3" VALVES



# INTEGRATED VALVE FOR Ø 10" TANK AE2475I10 With Pneumatic Valve

*High performance valve integrated in the tank*



### PRODUCT CERTIFICATIONS

STANDARD



OPZIONALI



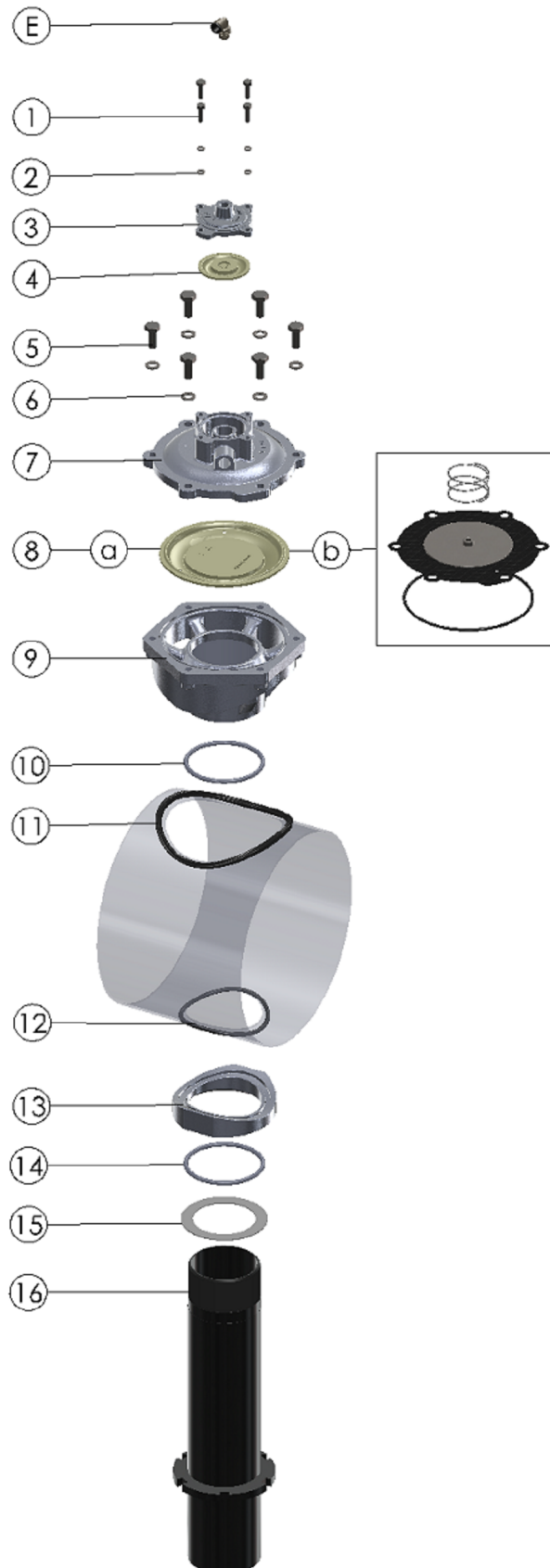
### VALVE TECHNICAL FEATURES

Features		Values
Out		Pipe 3"
Working Pressure		1,5-8 bar
Standard Temperature Range		-40 °C ; +100 °C
High Range Temperature		-20 °C ; +200 °C
Weight		11 kg
Protection Level		IP65
Air quality classes ( ISO 8573-1)	For Solid	2
	For Water with T > +3°C	4
	For Water with -20°C < T < +3°C	3
	For Water with -40°C < T < -20°C	2
	For Oil	1

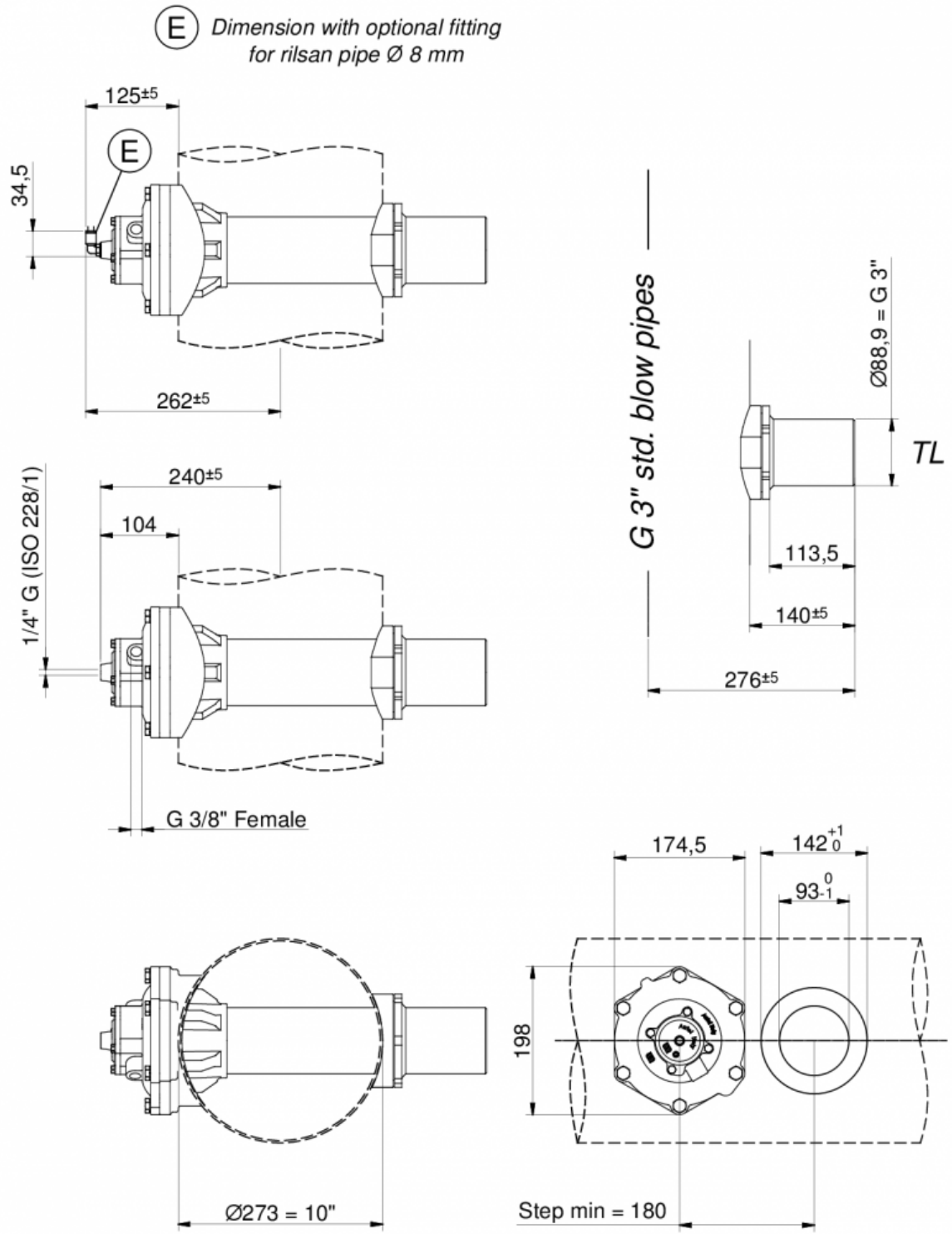
**PARTS LIST**

No.	Description	Material
1	Screw M6	SS
2	Washer	SS
3	Cover 3/4"	Die Cast Alu
4	Diaphragm 3/4"	TPE
5	Screw M8	SS
6	Washer	SS
7	Cover 3"	Die Cast Alu
8a	STD Diaphragm 3"	TPE
8b	HT Diaphragm 3"	VITON+PTFE
9	Body 3" Integrated	Die Cast Alu
10	Body Pipe O'Ring	NBR
11	Body Tank O'Ring	NBR
12	Clamp Tank O'Ring	NBR
13	Pipe Clamp O'Ring	NBR
14	Clamp 3"	Die Cast Alu
15	Washer 3"	Pa + Ela
16	Blow Pipe 3"	CS or SS
E	Optional Fitting	Nickeled Brass

Immagine



**DIMENSIONAL LAYOUT**



## CONSUMPTION GRAPHS

