

1" VALVES



INTEGRATED FOR Ø 6 " TANK

AE2825I06 With Pneumatic Valve

High performance valves integrated in the tank



PRODUCT CERTIFICATIONS

STANDARD



OPZIONALI



VALVE TECHNICAL FEATURES

Features	Values
Out	Pipe 1"
Working Pressure	1,5-8 bar
Standard Temperature Range	-40 °C ; +100 °C
High Range Temperature	-20 °C ; +200 °C
Kv	30 m ³ /h
Weight	1,2-1,4g
Protection Level	IP65

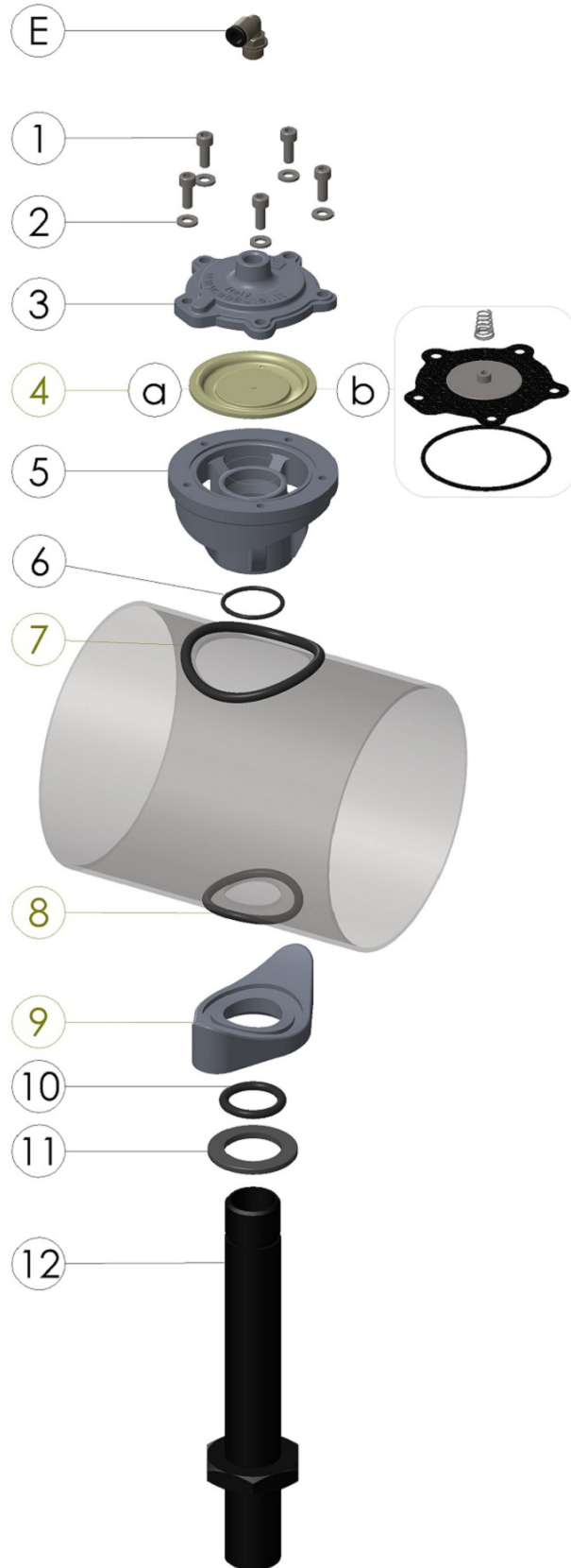
VALVE TECHNICAL FEATURES

Features		Values
Air quality classes (ISO 8573-1)	For Solid	2
	For Water with $T > +3^{\circ}\text{C}$	4
	For Water with $-20^{\circ}\text{C} < T < +3^{\circ}\text{C}$	3
	For Water with $-40^{\circ}\text{C} < T < -20^{\circ}\text{C}$	2
	For Oil	1

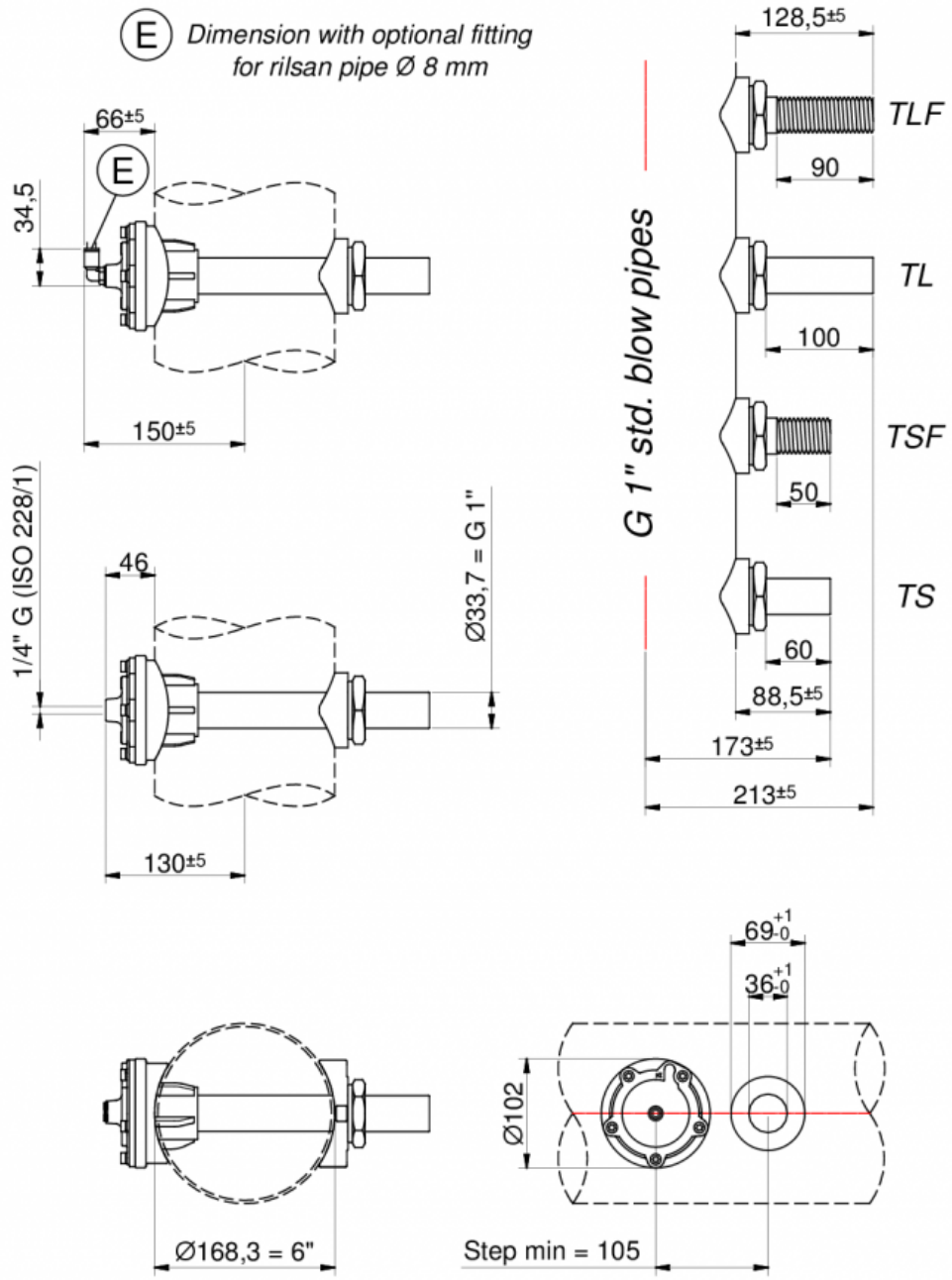
PARTS LIST

No.	Description	Material
1	Screw M6	SS
2	Washer	SS
3	Cover 1"	Die Cast Alu
4a	STD Diaphragm 1"	TPE
4b	HT Diaphragm 1" Kit	VITON+PTFE
5	Body 1" Integrated	Die Cast Alu
6	Body Pipe O'Ring	NBR
7	Body Tank O' Ring	NBR
8	Clamp Tank O'Ring	NBR
9	Clamp 1"	Die Cast Alu
10	Pipe Clamp O'Ring	NBR
11	Washer 1"	Pa 6,6+ Ela
12	Blow Pipe 1"	CS or SS
E	Optional Fitting	Nickeled Brass

Imagine



DIMENSIONAL LAYOUT



CONSUMPTION GRAPHS

