

## 2" VALVES



# INTEGRATED FOR Ø 8 " TANK

## AE1450I08 With Pilot Group

High performance valve integrated in the tank



### PRODUCT CERTIFICATIONS

STANDARD



OPZIONALI



### VALVE TECHNICAL FEATURES

Features	Values
Out	Pipe 2"
Working Pressure	1,5-8 bar
Standard Temperature Range	-40 °C ; +100 °C
High Range Temperature	-20 °C ; +200 °C
Kv	120 m <sup>3</sup> /h
Weight	4,6-5 kg
Protection Level	IP65

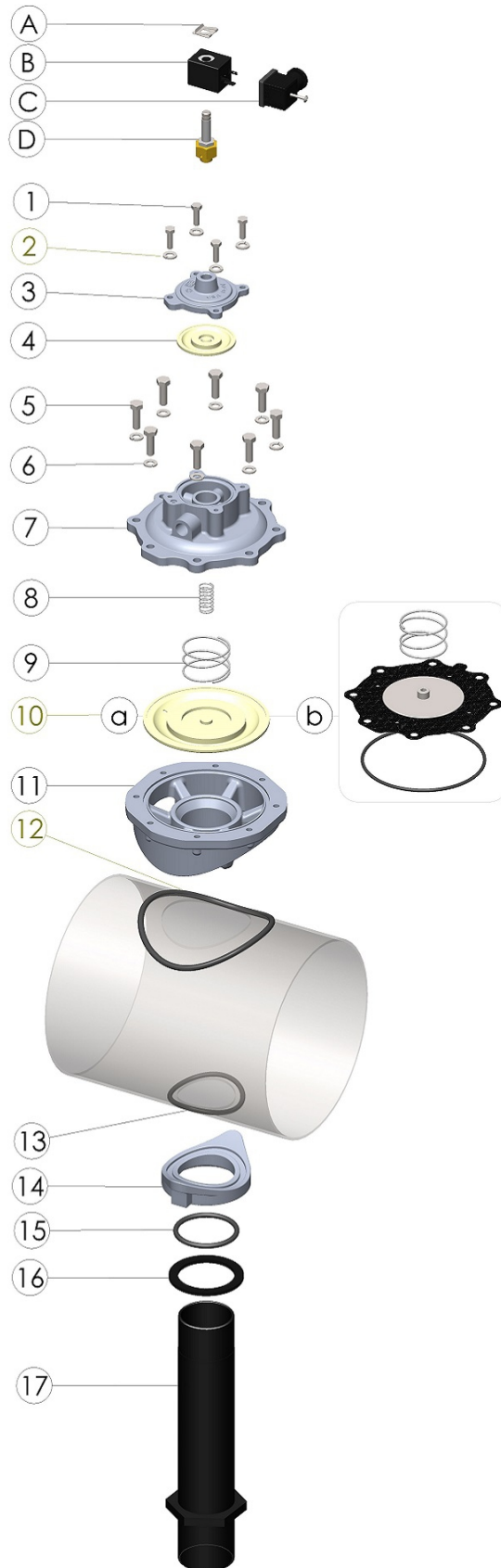
**VALVE TECHNICAL FEATURES**

Features		Values
Air quality classes ( ISO 8573-1)	For Solid	2
	For Water with $T > +3^{\circ}\text{C}$	4
	For Water with $-20^{\circ}\text{C} < T < +3^{\circ}\text{C}$	3
	For Water with $-40^{\circ}\text{C} < T < -20^{\circ}\text{C}$	2
	For Oil	1

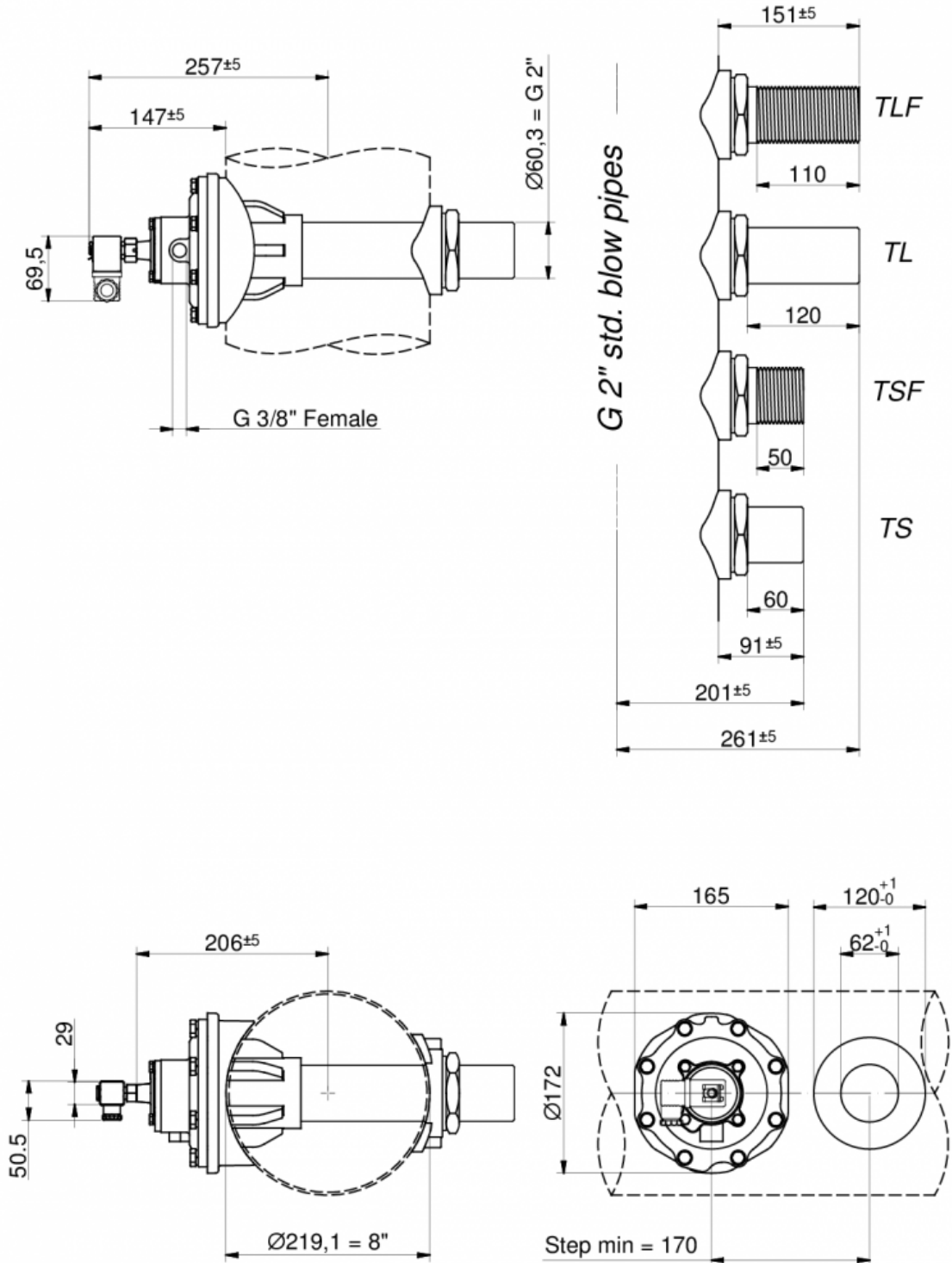
## PARTS LIST

No.	Description	Material
A	Clip	CS Galvanized
B	Coil	PA
C	Connector	PA + NBR
D	Pilot	SS + Brass
1	Screw M6	SS
2	Washer	SS
3	Cover 3/4"	Die Cast Alu
4	Diaphragm 3/4"	TPE
5	Screw M8	SS
6	Washer	SS
7	Cover 2"	Die Cast Alu
8	Spring	SS
9	Spring	SS
11	Body 2" Integrated	Die Cast Alu
12	Body Tank O'Ring	NBR
13	Clamp Tank O'Ring	NBR
14	Clamp 2"	Die Cast Alu
15	Pipe Clamp O'Ring	NBR
16	Washer 2"	Pa 6,6+ Ela
10a	STD Diaphragm 2"	TPE
10b	HT Diaphragm 2" Kit	VITON+PTFE
17	Blow Pipe 2"	Blow Pipe 2"

### Imagine



**DIMENSIONAL LAYOUT**



## CONSUMPTION GRAPHS

