

2" VALVES



INTEGRATED FOR Ø 10 " TANK

AE2450I10 With Pneumatic Valve

High performance valve integrated in the tank



PRODUCT CERTIFICATIONS

STANDARD



OPZIONALI



VALVE TECHNICAL FEATURES

Features	Values
Out	Pipe 2"
Working Pressure	1,5-8 bar
Standard Temperature Range	-40 °C ; +100 °C
High Range Temperature	-20 °C ; +200 °C
Kv	120 m ³ /h
Weight	4,4-4,8 kg
Protection Level	IP65

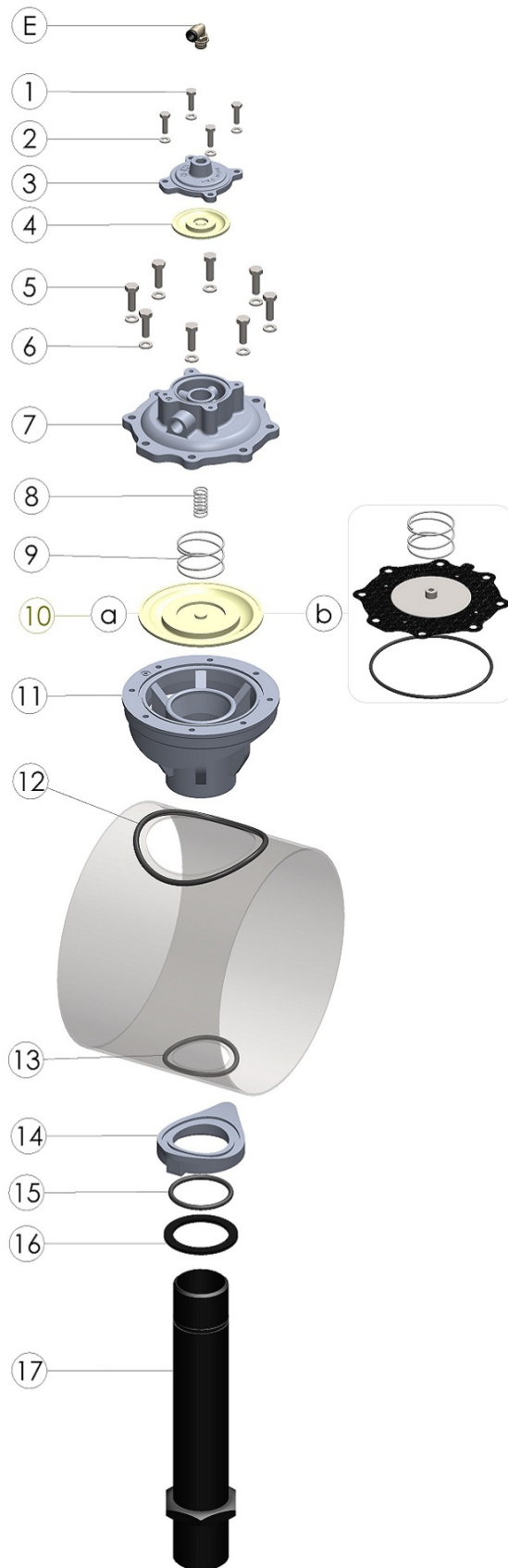
VALVE TECHNICAL FEATURES

Features		Values
Air quality classes (ISO 8573-1)	For Solid	2
	For Water with $T > +3^{\circ}\text{C}$	4
	For Water with $-20^{\circ}\text{C} < T < +3^{\circ}\text{C}$	3
	For Water with $-40^{\circ}\text{C} < T < -20^{\circ}\text{C}$	2
	For Oil	1

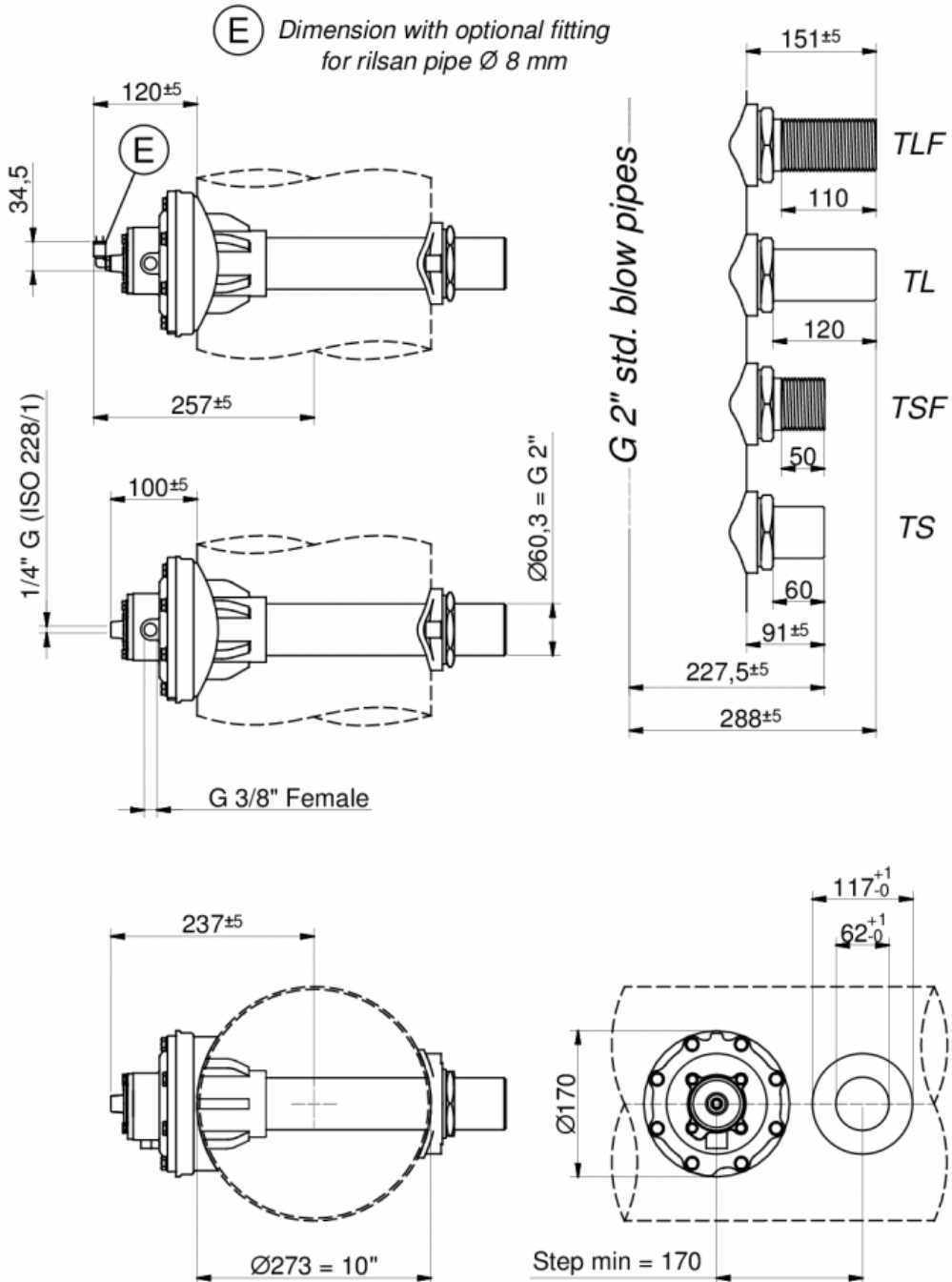
PARTS LIST

No.	Description	Material
1	Screw M6	SS
2	Washer	SS
3	Cover 3/4"	Die Cast Alu
4	Diaphragm 3/4"	TPE
5	Screw M8	SS
6	Washer	SS
7	Cover 2"	Die Cast Alu
8	Spring	SS
9	Spring	SS
11	Body 2" Integrated	Die Cast Alu
12	Body Tank O'Ring	NBR
13	Clamp Tank O'Ring	NBR
14	Clamp 2"	Die Cast Alu
15	Pipe Clamp O'Ring	NBR
16	Washer 2"	Pa 6,6+ Ela
10a	STD Diaphragm 2"	TPE
10b	HT Diaphragm 2" Kit	VITON+PTFE
E	Optional Fitting	Nickeled Brass
17	Blow Pipe 2"	CS or SS

Imagine



DIMENSIONAL LAYOUT



CONSUMPTION GRAPHS

