

## 2" ½ VALVES



# INTEGRATED FOR Ø 12" TANK

## AE1460I12 With Pilot Group

High performance valve integrated in the tank



### PRODUCT CERTIFICATIONS

STANDARD



OPZIONALI



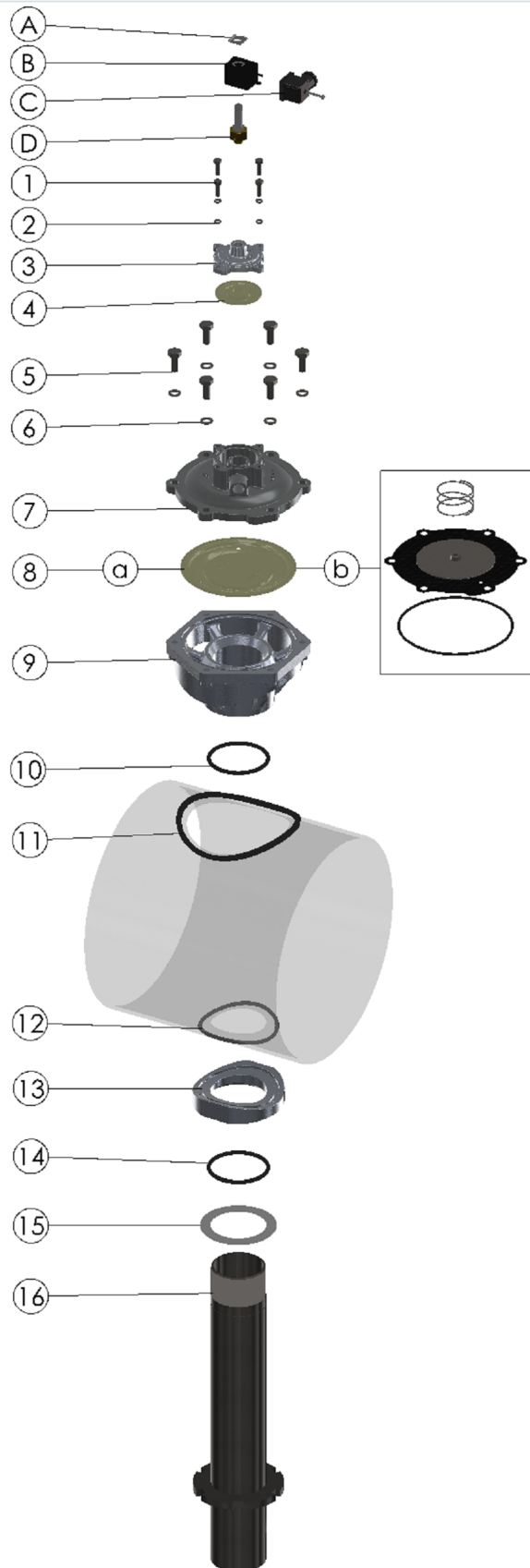
### VALVE TECHNICAL FEATURES

Features		Values
Out		Pipe 2"1/2
Working Pressure		1,5-8 bar
Standard Temperature Range		-40 °C ; +100 °C
High Range Temperature		-20 °C ; +200 °C
Weight		11.1 kg
Protection Level		IP65
Air quality classes ( ISO 8573-1)	For Solid	2
	For Water with T > +3°C	4
	For Water with -20°C < T < +3°C	3
	For Water with -40°C < T < -20°C	2
	For Oil	1

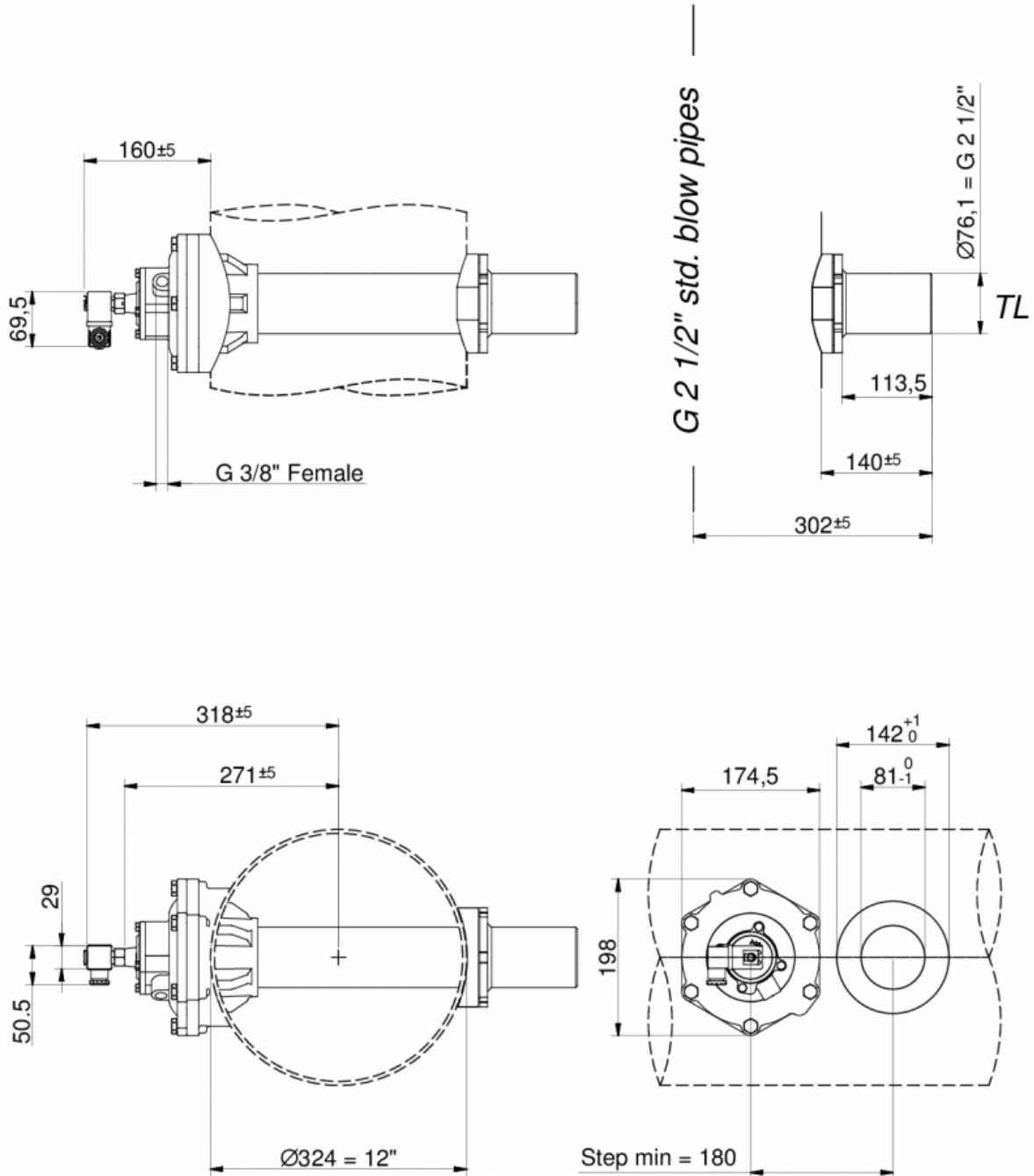
**PARTS LIST**

No.	Description	Material
A	Clip	CS Galvanized
B	Coil	PA
C	Connector	PA + NBR
D	Pilot	SS + Brass
1	Screw M6	SS
2	Washer	SS
3	Cover 3/4"	Die Cast Alu
5	Screw M8	SS
6	Washer	SS
7	Cover 2" 1/2	Die Cast Alu
8a	STD Diaphragm 2"1/2	TPE
8b	HT Diaphragm 2" 1/2Kit	VITON+PTFE
9	Body 2" 1/2 Integrated	Die Cast Alu
10	Body Pipe O'Ring	NBR
11	Body Tank O'Ring	NBR
12	Clamp Tank O'Ring	NBR
13	Clamp 2"1/2	Die Cast Alu
14	Pipe Clamp O'Ring	NBR
15	Washer 2" 1/2	Pa + Ela
16	Blow Pipe 2"1/2	CS or SS

## Immagine



**DIMENSIONAL LAYOUT**



## CONSUMPTION GRAPHS

