

3" VALVES



INTEGRATED VALVE FOR Ø 12" TANK

AE1475I12 With Pilot Group

High performance valve integrated in the tank



PRODUCT CERTIFICATIONS

STANDARD



OPZIONALI



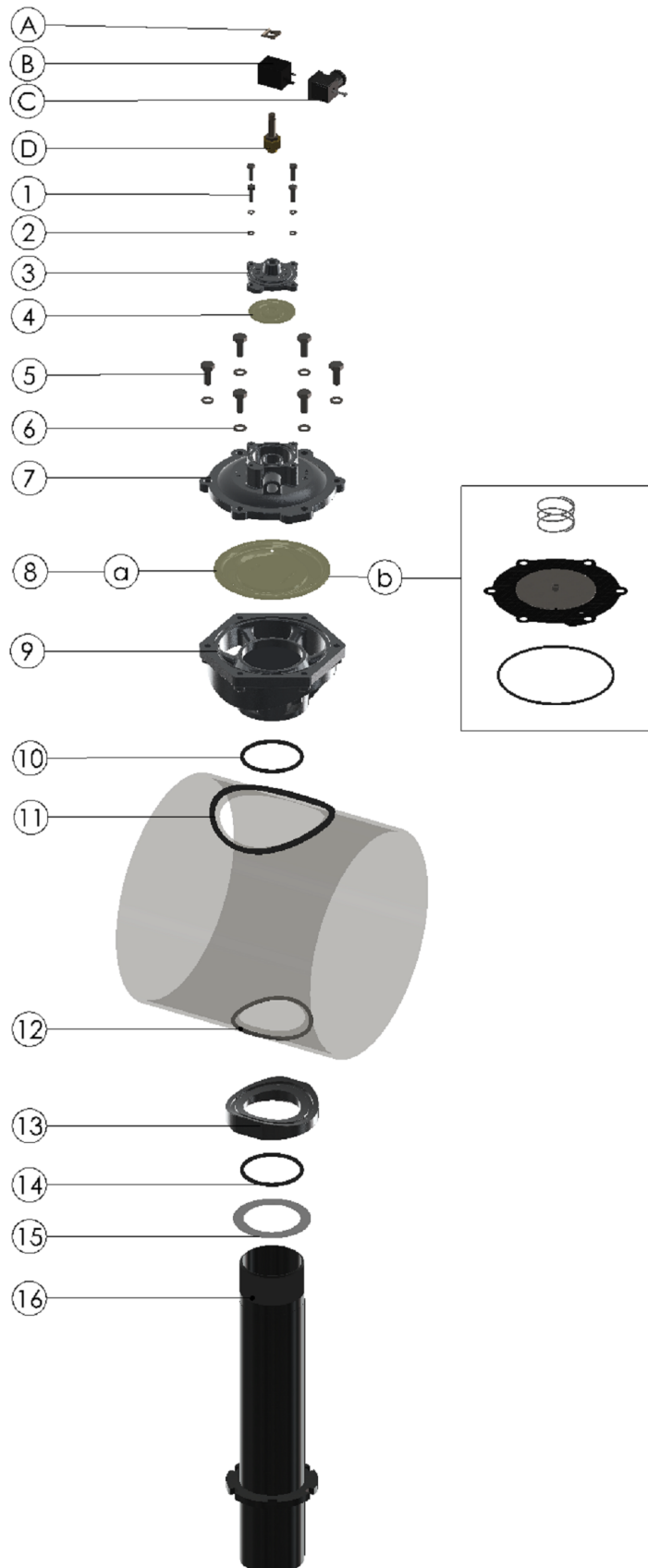
VALVE TECHNICAL FEATURES

Features		Values
Out		Pipe 3"
Working Pressure		1,5-8 bar
Standard Temperature Range		-40 °C ; +100 °C
High Range Temperature		-20 °C ; +200 °C
Weight		11.2 kg
Protection Level		IP65
Air quality classes (ISO 8573-1)	For Solid	2
	For Water with T > +3°C	4
	For Water with -20°C < T < +3°C	3
	For Water with -40°C < T < -20°C	2
	For Oil	1

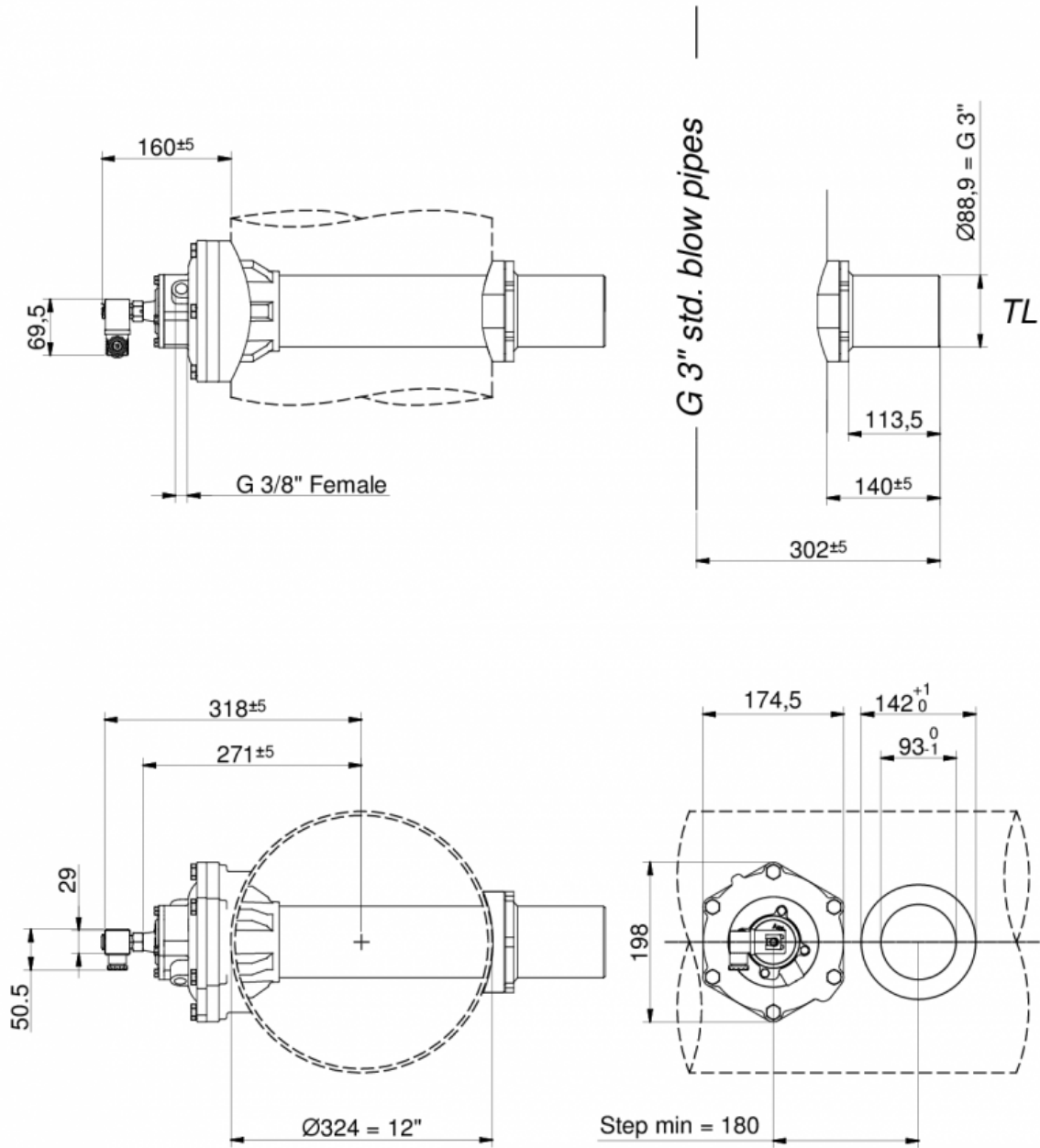
PARTS LIST

No.	Description	Material
A	Clip	CS Galvanized
B	Coil	PA
C	Connector	PA + NBR
D	Pilot	SS + Brass
1	Screw M6	SS
2	Washer	SS
3	Cover 3/4"	Die Cast Alu
4	Diaphragm 3/4"	TPE
5	Screw M8	SS
6	Washer	SS
7	Cover 3"	Die Cast Alu
8a	STD Diaphragm 3"	TPE
8b	HT Diaphragm 3"	VITON+PTFE
9	Body 3" Integrated	Die Cast Alu
10	Body Pipe O'Ringg	NBR
11	Body Tank O'Ring	NBR
12	Clamp Tank O'Ring	NBR
13	Pipe Clamp O'Ring	NBR
14	Clamp 3"	Die Cast Alu
15	Washer 3"	Pa + Ela
16	Blow Pipe 3"	CS or SS

Immagine



DIMENSIONAL LAYOUT



CONSUMPTION GRAPHS

