



## SERIAL SOLUTION

### TWO WIRE SYSTEM FOR GAS TURBINE AIR INTAKE

#### *Ecoserial P-PulseJet*

*The Evolution of the ECOSERIAL-1...with a lot more features.*

ECOSERIAL-P is an economizer with built-in a differential pressure gauge, able to control up to 26 Remote Pilot Box modules.

It is equipped with a LCD display, through which it is possible to check, in real time, the differential pressure, the end cleaning and start cleaning thresholds, the high pressure alarm threshold, the value of Delta P with unit of measure, the number of the last EV shot, countdown timer with seconds before the next shot, the next EV number, current operating mode, alarm messages or System OK. The Remote Pilot Box are controlled by the central unit and, one after the other, until the last element of the series and then it starts again from the first one. On demand, the instrument can be equipped with a 4-20mA or serial RS 485 outputs, to communicate with PCs or PLCs.

It is available both for external installation and on the control panel's front door.

With the Amplifier board the system is able to control up to 7 lines at the same time.

#### MAIN STRENGTHS:

- 1 cable with 2 wire for each module.
- Internal clock for temporized cleaning
- Internal differential pressure gauge.
- System integration with Modbus RS485 RTU
- Valve electrical failure detection
- Multi language interface (English, German, French, Italian, Spanish)

#### PRODUCT CERTIFICATIONS

STANDARD



OPZIONALI



WARRANTY  
YEARS

#### TECHNICAL SPECIFICATIONS

Main Features	Features	Values
Dimensions	External Dimensions ( L x H x W mm )	189x103x76.7
Temperature	Working Temperature (°C)	-10...+60
	with Amplifier Board	-10...+60



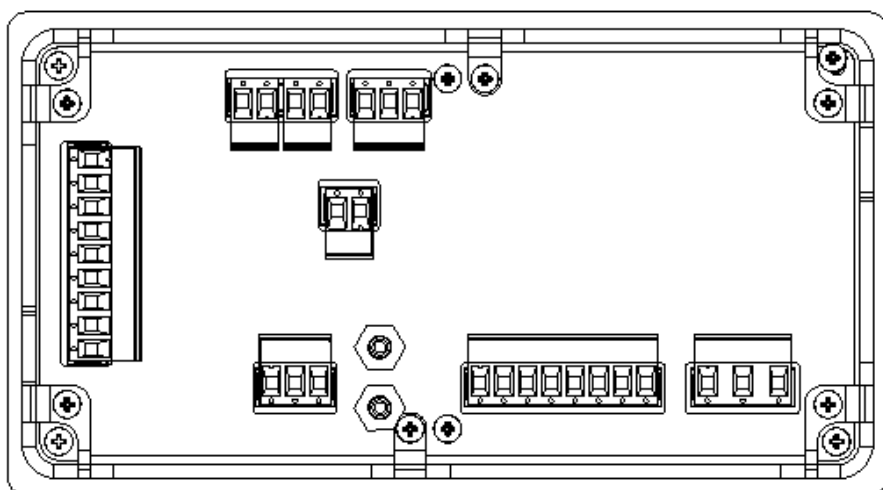
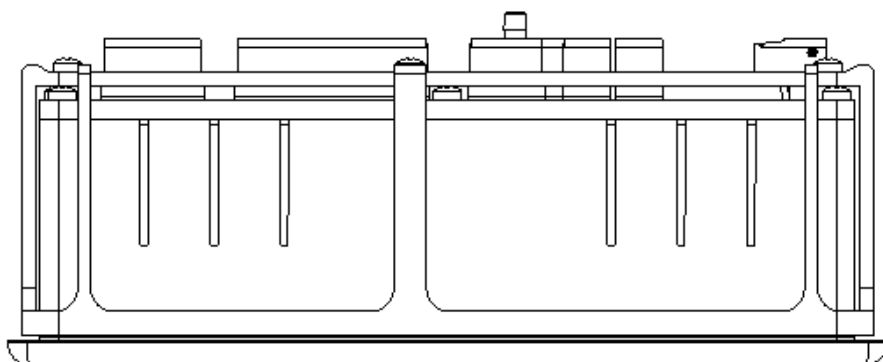
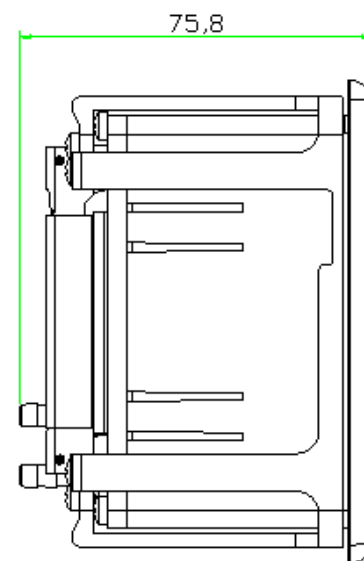
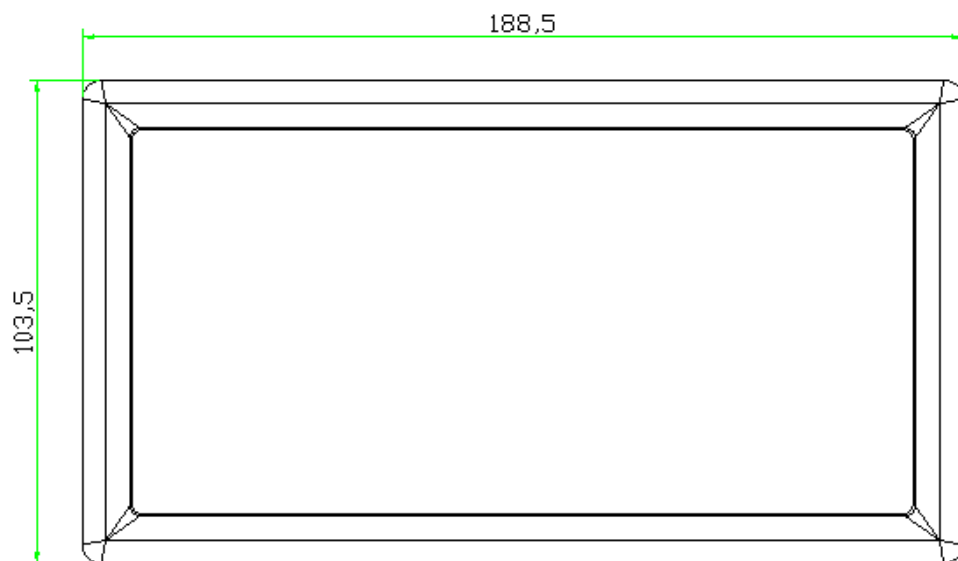
## TECHNICAL SPECIFICATIONS

Main Features	Features	Values
Power Supply	Power Supply Range (standard)	90-270Vac 50-60Hz
	Power supply range with Amplifier Board	24Vac +15%/-5% 50-60Hz or 33Vdc stabilized
	Power Supply Range (optional)	24Vac/Vdc
	Power Consumption	40W
Display	Display Type	LCD
	Resolution	128x64
	Display Color (standard)	Amber
Inputs	Digital Inputs (nr)	5 opto-isolated inputs
	Pressure Input	ok
	Pressure Range	-99/+999mmH2O
Outputs	Relay Outputs (nr)	4
	Relay Output Power	10A/250Vac, 10A/30Vdc, 5A/250Vac, 5A/24Vdc
	4-20mA Output	optional
Functions	Cyclic Management	ok
	Delta Pressure Management	ok
	Customizing Cycles	ok
	Remote Start/Stop	ok
	Autopause	ok
	Precoating	ok
	Post-cleaning	ok
	Cleaning cycle	ok
	Broken Coil Control	ok
	Broken Bag Control with D.Probe	ok
Serial Ports	RS485	optional
System	Maximum Driver Managed	26RPB
	Driver with Amplifier Board	max 26RPB in series and max 7 lines in parallel
	Type	MASTER
	Type of driver connectable	RPB
	Type of control driver	VOLTAGE BUS


**TECHNICAL SPECIFICATIONS**

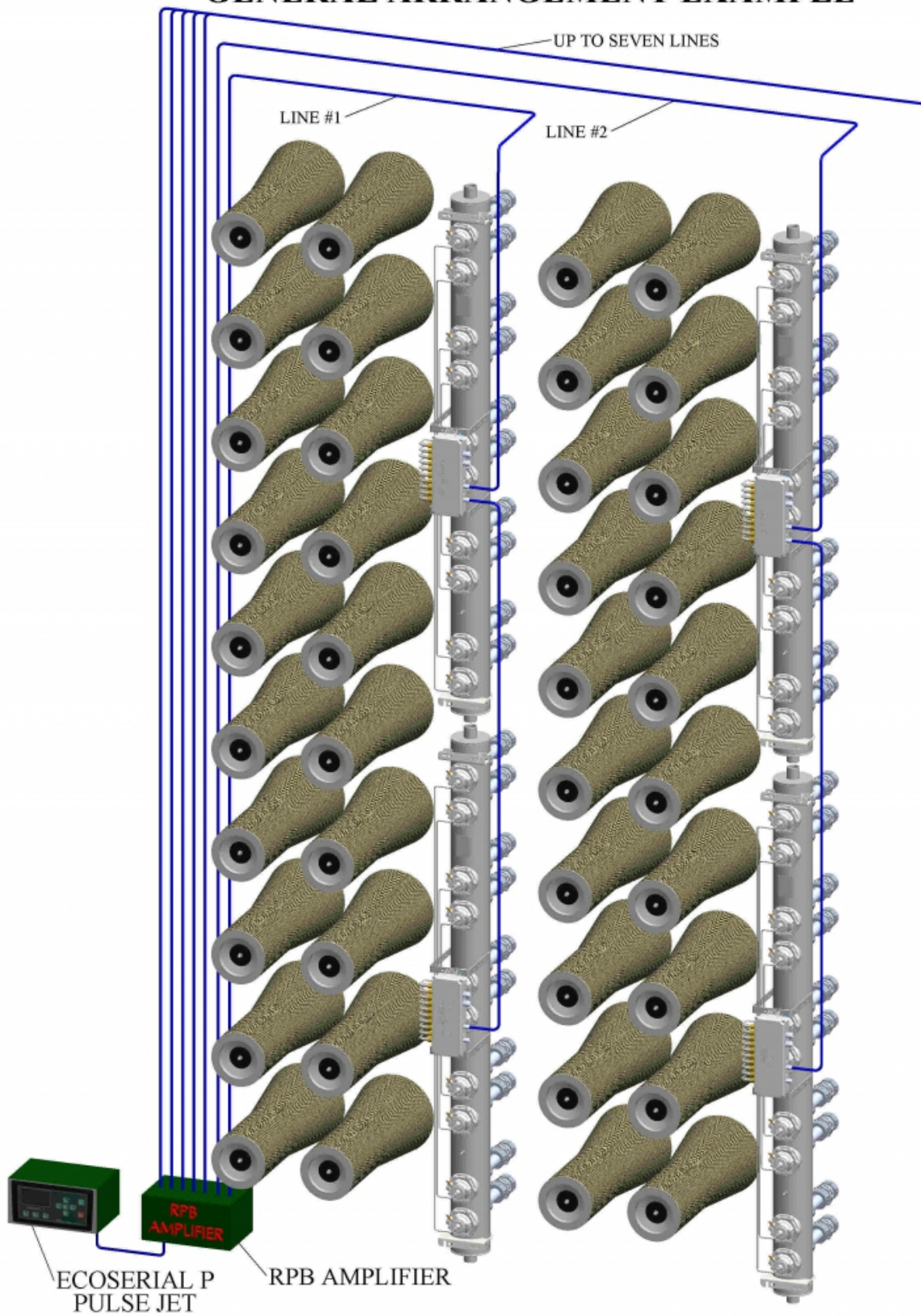
Main Features	Features	Values
Controls	Buttons (nr)	10
Application	Type	Gas turbine air tank

**DIMENSIONAL LAY-OUT**

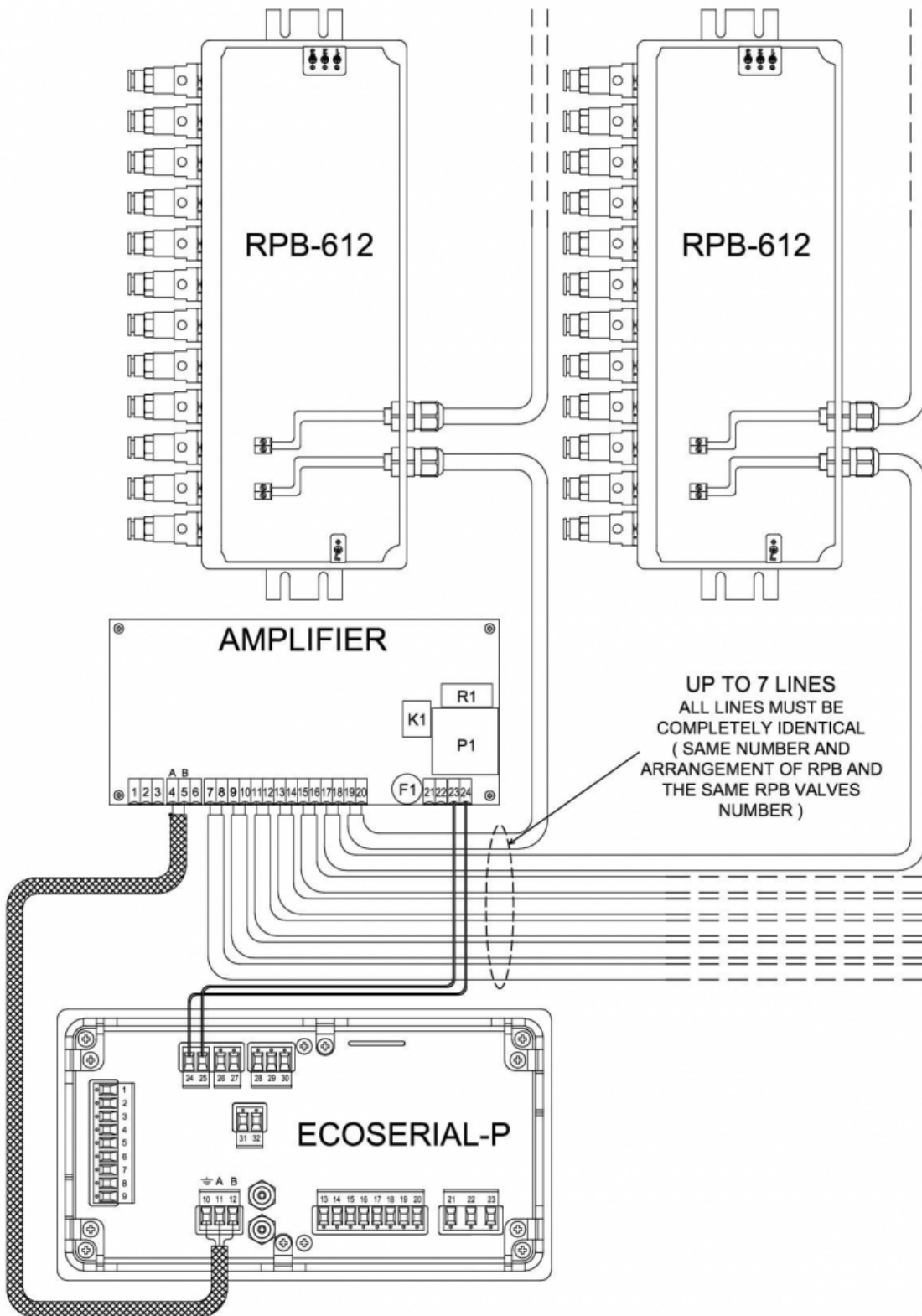


GENERAL ARRANGEMENT EXAMPLE

GENERAL ARRANGEMENT EXAMPLE



LINE CONNECTIONS







## HOW TO ORDER

## RPB612- x- Hy- EXz(optional) -thr- FTk(optional)- CERTIFICATION

x= 4,5,6,7,8,9,10,11,12 . Number of electro-valves installed.

Hy= H1 or H2. H1= 1 heater installed, H2= 2 heater installed. Not available on Atex IECEX version

EX = EX1 or EX2. Ex1=ATEX/ IECEX zone 1/2/21. Ex2=ATEX zone 22 (optional)

thr = BSP or NPT 1/4" female thread on electro-valve body. (if not specified -> 1/4" BSP)

FTk=

- 0 or not specified: 1/4" BSP Elbow fitting for 6 x 8 mm plastic tubing.
- 1: 1/4" NPT Elbow fitting for 1/4" plastic tubing.
- 3: 1/4" NPT Elbow fitting for 6 x 8 mm plastic tubing.
- 4: 1/4" NPT Swagelock Fitting for 1/4" Stainless steel tubing.
- 5: 1/4" BSP Parker Fitting for 1/4" Stainless steel tubing.
- 6: 1/4" BSP Generic Fitting for 1/4" Stainless steel tubing.

Certification= CE (European community) , UL (Underwriters Laboratories)

Examples 1: RPA612-12-EX1-BSP-FT6-CE :

RPB612 Box with 12 electro-pilots, Atex IECEX zone1/21, electrovalve body with NPT thread, 1/4" BSP Generic Fitting for 1/4" Stainless steel tubing-CE certified

SOLUTION: ECOSERIAL P PULSE JET + AMPLIFIER BOARD + RPB612				
PILOT BOX MODEL	AVAILABLE CERTIFICATIONS	PILOTS	WORKING TEMPERATURE RANGE °C	HEATER AVAILABLE
RPB 612	CE	OTTONE/BRASS	-40/+60	YES
	CE-UL	ANODIZED ALLUMINIUM	-40/+60	NO
	CE ATEX IECEX ZONE 21/1	OTTONE/BRASS	-20/+60	NO
	CE ATEX ZONE 22	OTTONE/BRASS	-40/+60	YES
CONTROLLER	AVAILABLE CERTIFICATIONS		TEMP °C	HEATER AVAILABLE
ECOSERIAL P PULSE JET	CE		-10/+60	NO
	CE+UL		-10/+61	NO
AMPLIFIER	ONLY CE		-10/+60	NO