

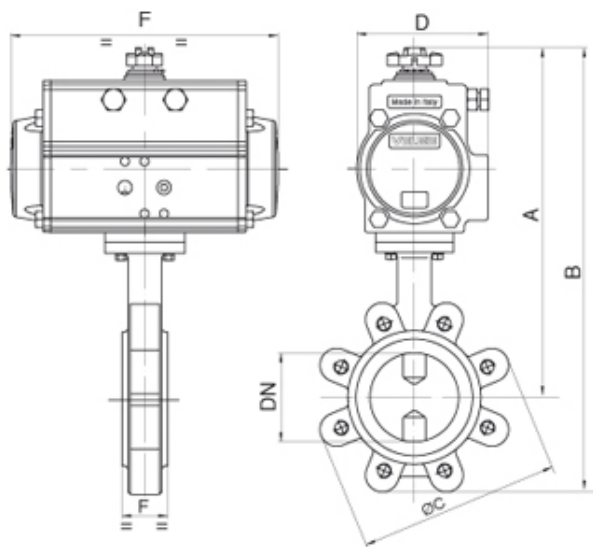


Serie **FARFALLA**

Articolo **8P010900 - 8P019900 - 8P011000 - 8P020000**

Butterfly valve "LUG" type PN16, body in cast iron GGG40 + Epoxy painting, disc AISI 316, EPDM seat [Valpres Art. 600205] or NBR [Valpres Art. 600230], with actuator.

PRESSIONE MINIMA ALIMENTAZIONE ATTUATORE 6 bar actuator air supply pressure minimum 6 bar



Art. 8P010900 EPDM Art. 8P019900 NBR

VALVOLA CON ATTUATORE DOPPIO EFFETTO VALVE WITH DOUBLE ACTING ACTUATOR

| DN   | 40    | 50    | 65    | 80    | 100   | 125   | 150   | 200    | 250    | 300    |
|------|-------|-------|-------|-------|-------|-------|-------|--------|--------|--------|
| PN   | 16    | 16    | 16    | 16    | 16    | 16    | 16    | 16     | 16     | 16     |
| A    | 224   | 255   | 267   | 281   | 315   | 327   | 355   | 434    | 482    | 541    |
| B    | 294   | 326   | 345   | 370   | 417   | 450   | 493   | 602    | 689    | 784    |
| ØC   | 145   | 165   | 185   | 200   | 220   | 250   | 285   | 268    | 325    | 400    |
| D    | 71    | 71    | 71    | 81    | 95    | 95    | 106   | 137    | 148    | 164    |
| E    | 33    | 43    | 46    | 46    | 52    | 56    | 56    | 60     | 68     | 78     |
| F    | 141   | 141   | 141   | 164   | 210   | 210   | 241   | 333    | 372    | 435    |
| ACT. | DA 52 | DA 52 | DA 52 | DA 63 | DA 75 | DA 75 | DA 85 | DA 115 | DA 125 | DA 140 |
| RI   | 3836  | 3836  | 3836  | 3838  | 3839  | 3840  | 3841  | 3965   | 3865   | 3868   |

Art. 8P011000 EPDM Art. 8P020000 NBR

VALVOLA CON ATTUATORE SEMPLICE EFFETTO VALVE WITH SPRING RETURN ACTUATOR

| DN   | 40    | 50    | 65    | 80    | 100   | 125    | 150    | 200    | 250    | 300    |
|------|-------|-------|-------|-------|-------|--------|--------|--------|--------|--------|
| PN   | 16    | 16    | 16    | 16    | 16    | 16     | 16     | 16     | 16     | 16     |
| A    | 235   | 266   | 279   | 312   | 328   | 354    | 366    | 469    | 524    | 672    |
| B    | 305   | 338   | 357   | 401   | 430   | 477    | 504    | 637    | 731    | 915    |
| Ø C  | 145   | 165   | 185   | 200   | 220   | 250    | 285    | 340    | 405    | 400    |
| D    | 81    | 81    | 81    | 106   | 106   | 123    | 123    | 164    | 186    | 213    |
| E    | 33    | 43    | 46    | 46    | 52    | 56     | 56     | 60     | 68     | 78     |
| F    | 164   | 164   | 164   | 241   | 241   | 275    | 275    | 435    | 500    | 493    |
| ACT. | SR 63 | SR 63 | SR 63 | SR 85 | SR 85 | SR 100 | SR 100 | SR 140 | SR 160 | SR 180 |
| RI   | 3843  | 3843  | 3843  | 3844  | 3840  | 3846   | 3847   | 3848   | 3867   | 3309   |

