

COMPACT SOLUTION

STR SERIES

Probably the simplest and cheapest controller in the market!



The device STR-2-6 is a simple and cheap cyclic timer, from 2 to 6 outputs, compact and reliable for small dust collectors. The simplicity of installation and use is its main strength. To connect the outputs of the instrument to the pneumatic valves on the filter it is enough to use a normal RILSAN 6x8 mm pipe. The cabling costs are limited only to the power supply. The setting of the functioning cycle (pause time and work time) is made by a special trimmer and a rotary switch available through a transparent removable window.

STR can control up to 6 valves. When you need to control a higher number of valves you may use STR-R that are able to drive expansion called REC.

STR allows also to clean the valves only when the pressure inside the filter overcomes a set threshold. In the same way the cleaning stops when the pressure comes down the programmed value. To have this additional function, it is enough to connect a differential pressure gauge as our DPF-15E to the terminals 3-4 of STR.

PRODUCT CERTIFICATIONS

STANDARD



OPZIONALI



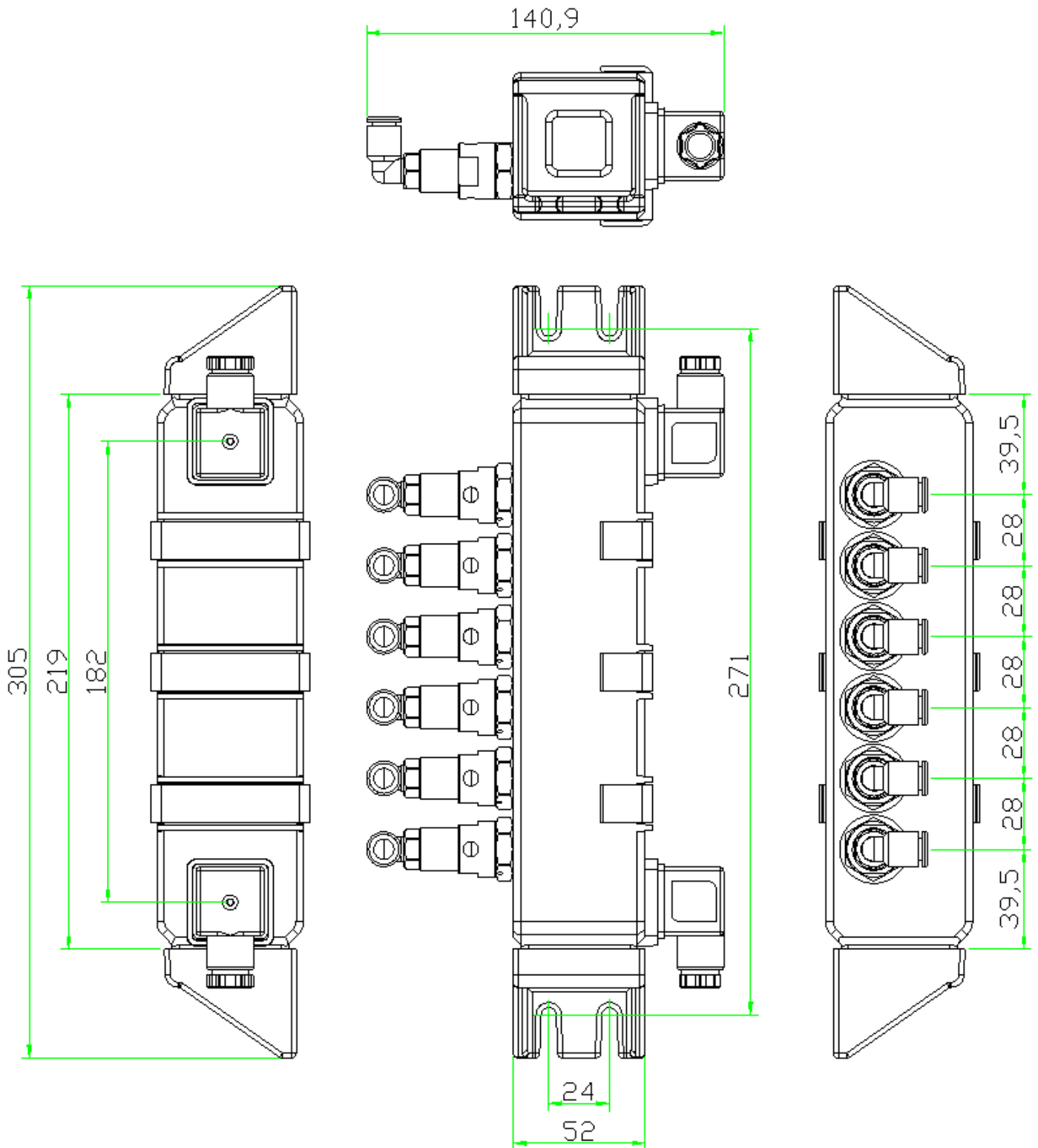
TECHNICAL SPECIFICATIONS

Main Features	Features	Values
Dimensions	External Dimensions (L x H x W mm)	305x65x63
Protection	Protection Level (standard)	IP65
Temperature	Working Temperature (°C)	-10... +50
Power Supply	Power Supply Range (standard)	90-240Vac
	Power Supply Range (optional)	24Vac/Vdc +/-10%
	Power Consumption	25W
Inputs	Digital Inputs (nr)	2 (STR), 1 (STR-R)
Outputs	Coils Control Voltage	24Vdc


TECHNICAL SPECIFICATIONS

Main Features	Features	Values
Functions	Cyclic Management	ok
	Post-cleaning	ok
	Cleaning cycle	ok (standard)
System	Maximum Driver Managed	9 REC (STR-R)
	Type	MASTER
	Maximum number of coil	6
	Type of control driver	BUS

DIMENSIONAL LAY-OUT





HOW TO ORDER

STR-(R)x - EX(optional)

R = Expansible Version

x= 2,3,5,6. Number of electro-valves installed.

EX = ATEX zone 22 (optional)

Example: STR-R5-EX:

STR compact timer Box with 5 electro-pilots, Expansible, Atex zone 22.

REC-x - EX(optional)

x= 2,3,5,6. Number of electro-valves installed.

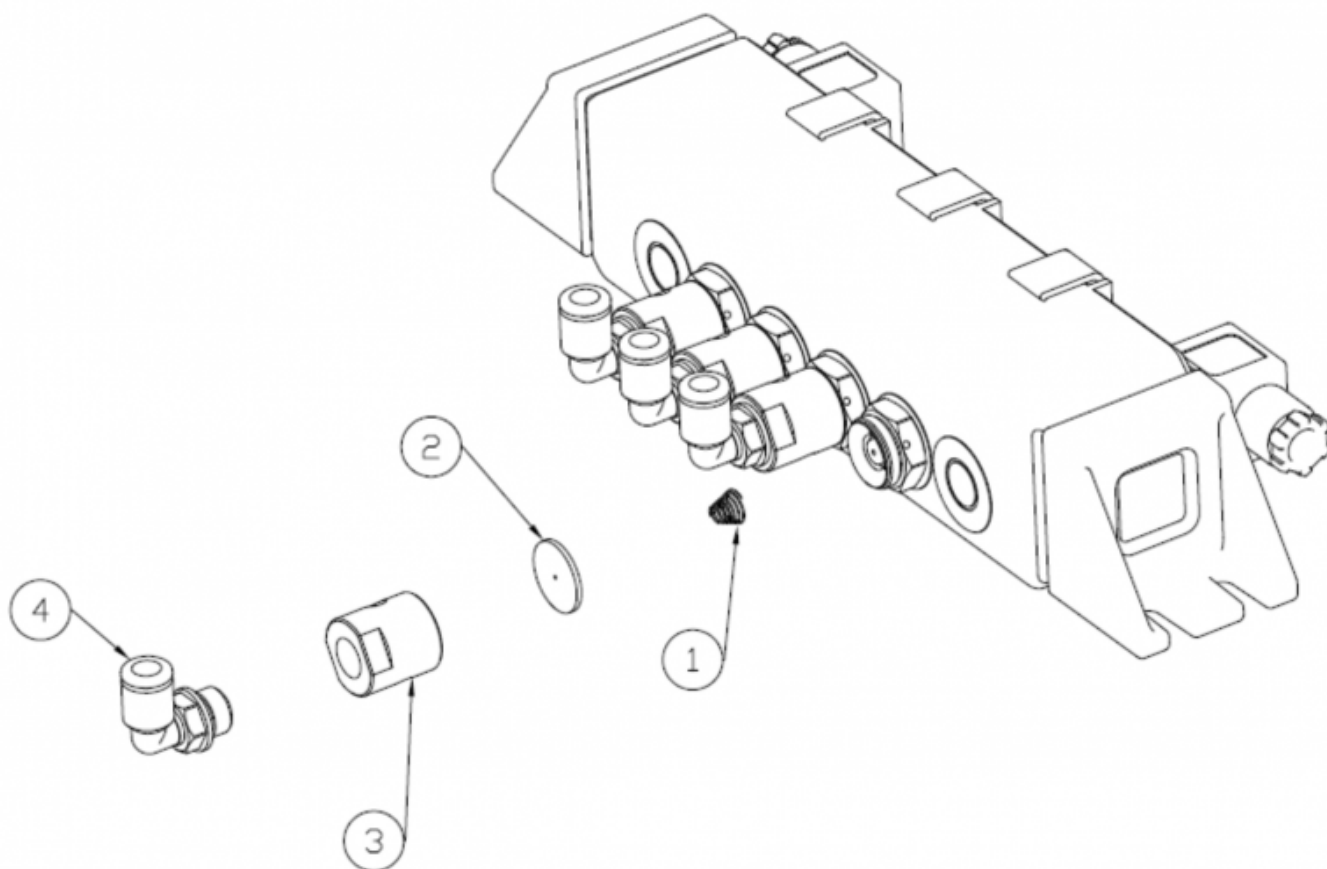
EX = ATEX zone 22 (optional)

Example: REC-R5-EX:

Expansion for STR-R with 5 electro-pilots, Atex zone 22.



DESCRIPTION



- 1: Electro-valve internal spring.
- 2: Electro-valve internal diaphragm.
- 3: Electro-valve body. Standard with Female BSP 1/4" Thread. Optional with Female NPT 1/4" thread.
- 4: Elbow fitting for tubing to pulse jet valve. Standard BSP 1/4" Thread for 6x8 mm plastic tubing.

ELECTRICAL CONNECTION

