

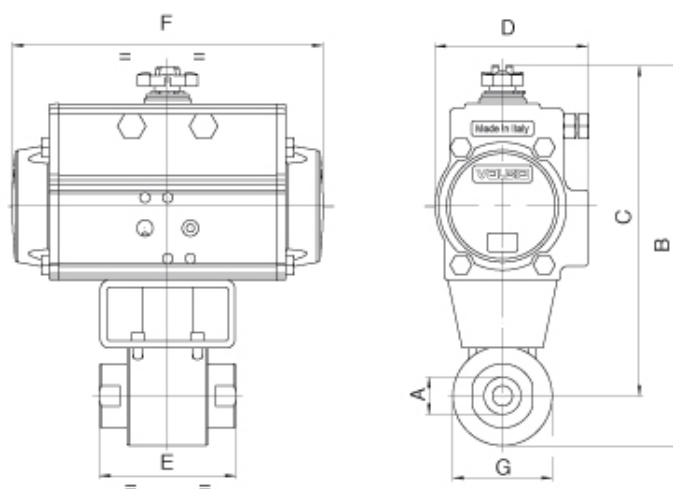


**Serie ALTA PRESSIONE**

**Articolo 8P022700 - 8P022800**

2 ways ball valve, AISI 316L, F/F threaded, fire safe BS 6755, antistatic device, high pressure, with actuator. For Hydraulic oil, emulsion, gas. For particular applications, refer to Valbia.

PRESSIONE MINIMA ALIMENTAZIONE ATTUATORE 6 bar actuator air supply pressure minimum 6 bar



**Art. 8P022700**

**VALVOLA CON ATTUATORE DOPPIO EFFETTO VALVE WITH DOUBLE ACTING ACTUATOR**

PN	500	500	400	350	350	350	350
DN - A	3/8"	1/2"	3/4"	1"	1 1/4"	1 1/2"	2"
B	195	217	244	253	295	328	391
C	168	182	207	211	245	271	329
D	71	81	95	95	123	123	137
E	72	81	98	106	127	135	160
F	141	164	210	210	275	275	333
G	54	59	74	83	99	114	123
ACT.	DA 52	DA63	DA 75	DA 75	DA 100	DA 100	DA 115
RI	4220	4221	4222	4222	4222	4223	4224

**Art. 8P022800**

**VALVOLA CON ATTUATORE SEMPLICE EFFETTO VALVE WITH SPRING RETURN ACTUATOR**

PN	500	500	400	350	350	350	350
DN - A	3/8"	1/2"	3/4"	1"	1 1/4"	1 1/2"	2"
B	224	230	271	280	329	362	426
C	197	200	234	238	279	305	364
D	95	95	123	123	137	137	164
E	72	81	98	106	127	135	160
F	210	210	275	275	333	333	435
G	54	59	74	83	99	114	123
ACT.	SR 75	SR 75	SR 100	SR 100	SR 115	SR 115	SR 140
RI	4225	4225	4222	4222	4226	4227	4228

