

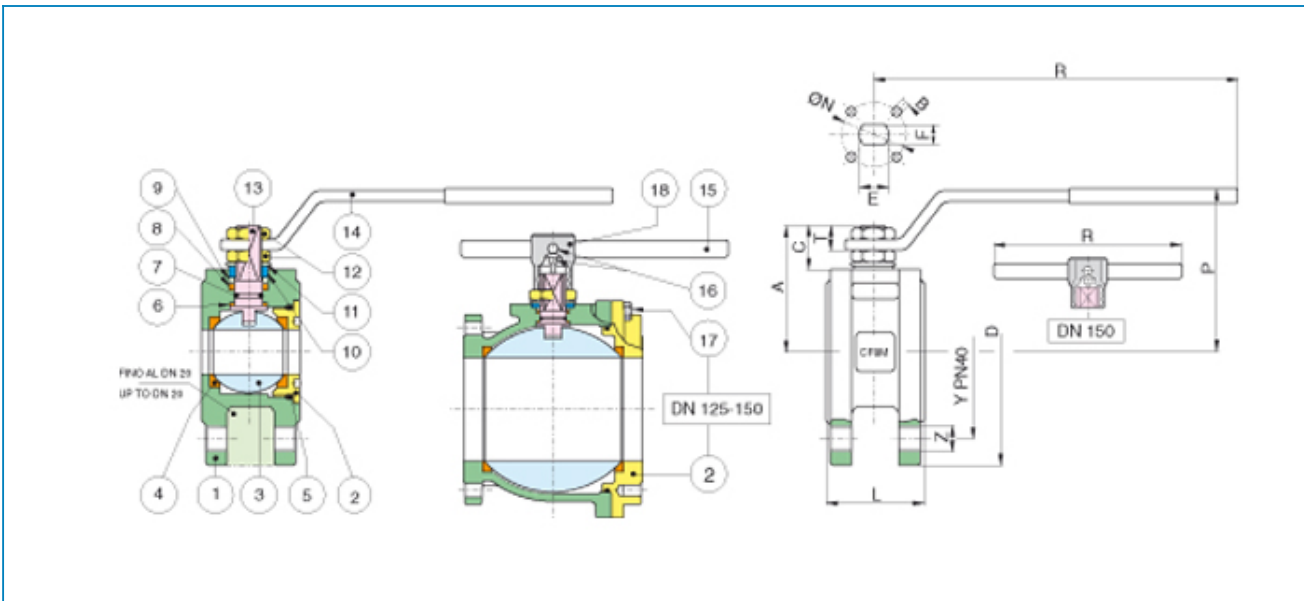


Serie **WAFER PN40.**

Articolo **720078**

**STAINLESS STEEL**

Full bore flanged ball valve PN40.



Limiti di temperatura: -20° +160° - Temperature range: -20° +160° Vuoto: 10-3 torr. - Vacuum: 10-3 torr.

POS.	PART NAME	MATERIALE-MATERIALS MATERIAUX-WERKSTOFF- MATERIAL	N°P
1	BODY	A351-CF8M / A182-F316	1
2	END CONNECTION	A351-CF8M / A182-F316	1
3	BALL	A351-CF8M / A182-F316	1
4	BALL SEAT	P.T.F.E.+GLASS	2
5	O-RING	FKM (VITON®)	1
6	THRUST WASHER	P.T.F.E.	1
7	O-RING	FKM (VITON®)	1
8	STEM SEAT	P.T.F.E.	1
9	PACKING GLAND	CARBON STEEL	1
10	END STOP	INOX AISI 430 (DN15 - DN50) CARBON STEEL DN65 - DN150)	2-1
11	SPRING WASHER	CARBON STEEL	2
12	NUT	CARBON STEEL	2
13	STEM	A182-F316	1
14	HANDLE	CARBON STEEL	1
15	HANDLE DN 150	CARBON STEEL	1
16	SCREW	CARBON STEEL	1
17	SCREW	CARBON STEEL	8-12
18	CORPO LEVA DN150-200	CUERPO PALANCA DN 150-200	1

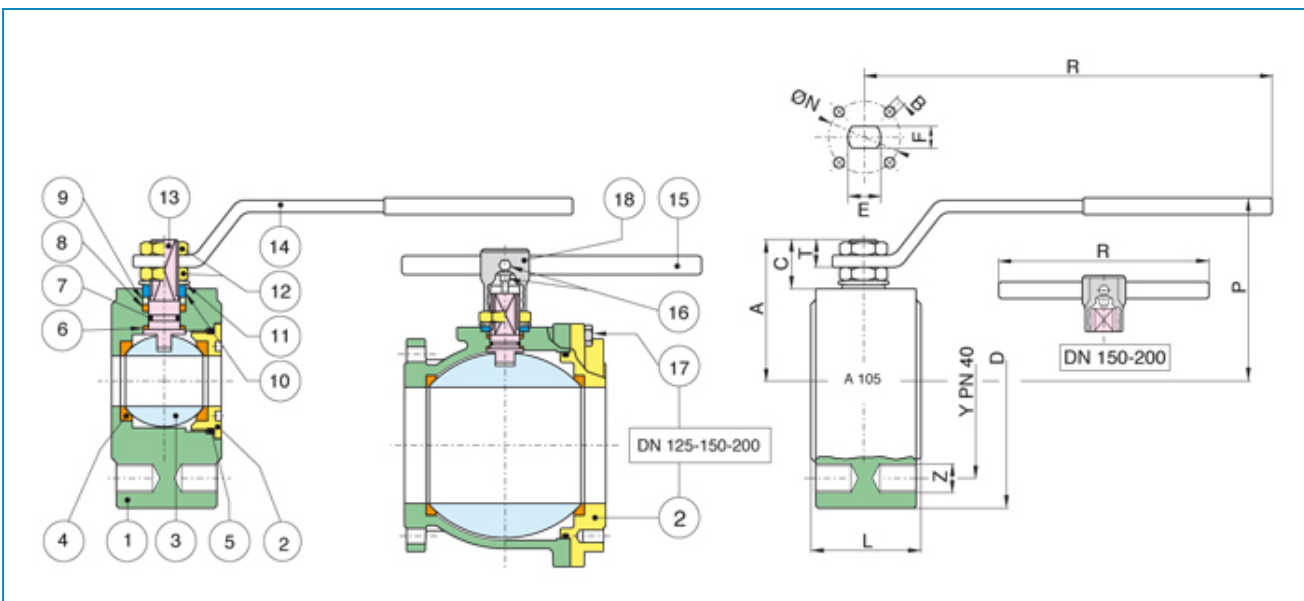
MISURA SIZE	DN	D	Y	Z	L	R	P	A	C	T	E	F	ØN	B	Kv	PN	Kg
1/2"	15	90	65	4 X M12	35	131	65	47	15,5	9	10	7	32	4 X M5	19,2	40	1,3
3/4"	20	100	75	4 X M12	40	131	69	51,5	15,5	9	10	7	32	4 X M5	35,0	40	1,8
1"	25	115	85	4 X M12	46	174	80	61	19,5	11	12	8	42	4 X M5	64,5	40	2,2
1"1/4	32	140	100	4 X M16	54	174	84	64,5	16,5	11	12	8	42	4 X M5	103,8	40	3,3
1"1/2	40	150	110	4 X M16	63,5	250	102	78	24,5	13	16	10	50	4 X M6	174,0	40	3,3
2"	50	165	125	4 X M16	82	250	111	87	25	13	16	10	50	4 X M6	301,3	40	5,5
2"1/2	65	185	145	8 X M16	103	321	128	104,5	25	18	20	14	70	4 X M8	545,7	40	9,6
3"	80	200	160	8 X M16	122	321	138	115	28,5	18	20	14	70	4 X M8	872,5	40	12,8
4"	100	220	190	8 X M20	152	381	156	137	34,5	22	24	18	102	4 X M10	1363,3	40	21,1
5"	125	270	220	8 X M24	196	381	178	159	34	22	24	18	102	4 X M10	2360,3	40	56,5
6"	150	300	250	8 X M24	232	700	266	201,5	51,5	30	42	30	125	4 X M12	3671,1	40	68,5
8"	200	320	320	12 x Ø29	400	700	348	290	68	40	42	30	125	4 x M12	6816,6	40	143,00



Serie **WAFER PN40.**

Articolo **720008**

Full bore flanged ball valve PN40.



Limiti di temperatura: -10° +160° - Temperature range: -10° +160° Vuoto: 10-3 torr. - Vacuum: 10-3 torr.

POS.	PART NAME	MATERIALE-MATERIALS MATERIAUX-WERKSTOFF- MATERIAL	N°P
1	BODY	ASTM A105 / A216-WCB	1
2	END CONNECTION	ASTM A105 / A216-WCB	1
3	BALL	A351-CF8/ A182-F304	1
4	BALL SEAT	P.T.F.E.+GLASS	2
5	O-RING	FKM (VITON®)	1
6	THRUST WASHER	P.T.F.E.	1
7	O-RING	FKM (VITON®)	1
8	STEM SEAT	P.T.F.E.	1
9	PACKING GLAND	CARBON STEEL	1
10	END STOP	INOX AISI 430 (DN15 - DN50) CARBON STEEL DN65 - DN150)	2-1
11	SPRING WASHER	CARBON STEEL	2
12	NUT	CARBON STEEL	2
13	STEM	A182 - F304	1
14	HANDLE	CARBON STEEL	1
15	HANDLE DN 150	CARBON STEEL	1
16	SCREW	CARBON STEEL	1
17	SCREW	CARBON STEEL	8-12
18	CORPO LEVA DN150-200	EN-GJL-250	1

MISURA SIZE	DN	D	Y	Z	L	R	P	A	C	T	E	F	ØN	B	Kv	PN	Kg
1/2"	15	90	65	4 X M12	35	131	65	47	15,5	9	10	7	32	4 X M5	19,2	40	1,30
3/4"	20	100	75	4 X M12	40	131	69	51,5	15,5	9	10	7	32	4 X M5	35,0	40	1,80
1"	25	115	85	4 X M12	46	174	80	61	19,5	11	12	8	42	4 X M5	64,5	40	2,70
1"1/4	32	140	100	4 X M16	54	174	84	64,5	16,5	11	12	8	42	4 X M5	103,8	40	4,30
1"1/2	40	150	110	4 X M16	63,5	250	102	78	24,5	13	16	10	50	4 X M6	174,0	40	5,10
2"	50	165	125	4 X M16	82	250	111	87	25	13	16	10	50	4 X M6	301,3	40	8,80
2"1/2	65	185	145	8 X M16	103	321	128	104,5	25	18	20	14	70	4 X M8	545,7	40	15,60
3"	80	200	160	8 X M16	122	321	138	115	28,5	18	20	14	70	4 X M8	872,5	40	20,80
4"	100	220	190	8 X M20	152	381	156	137	34,5	22	24	18	102	4 X M10	1363,3	40	39,30
5"	125	270	220	8 X M24	196	381	178	159	34	22	24	18	102	4 X M10	2360,3	40	53,60
6"	150	300	250	8 X M24	232	700	266	201,5	51,5	30	42	30	125	4 X M12	3671,1	40	91,00
8"	200	320	320	12 x Ø29	400	700	348	290	68	40	42	30	125	4 x M12	6816,6	40	143,00

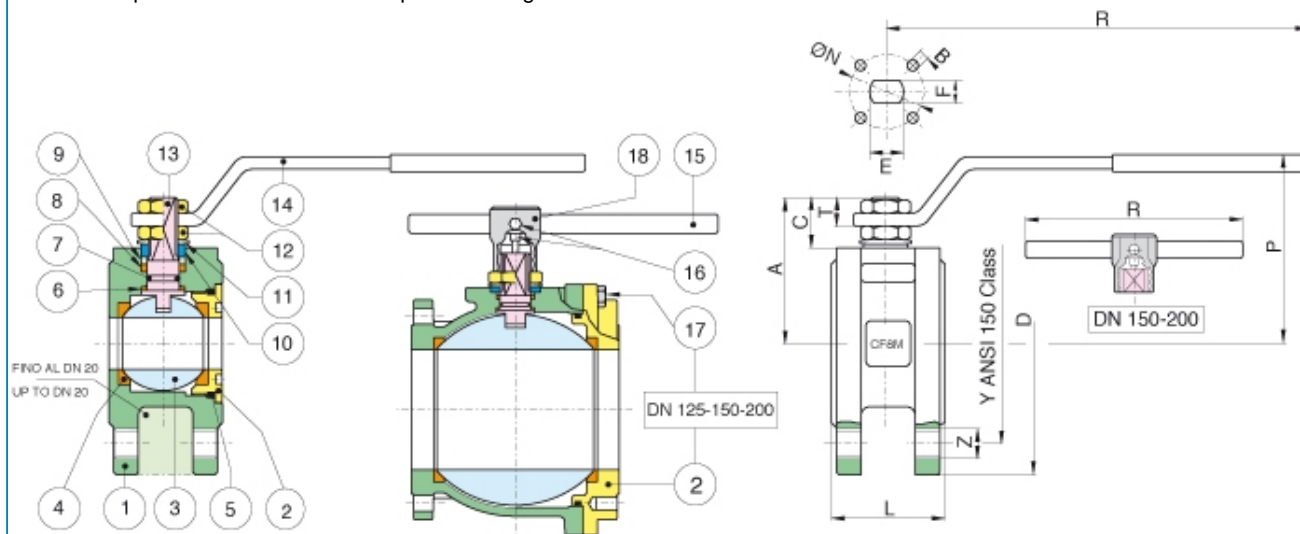


## Serie **WAfer ANSI150**

Articolo **720042**

Full bore flanged ball valve ANSI 150 metric.

Limiti di temperatura: -20° +160° - Temperature range: -20° +160° Vuoto: 10-3 torr. - Vacuum: 10-3 torr.



POS.	PART NAME	MATERIALE - MATERIALS - MATERIAUX WERKSTOFF- MATERIAL	N°P
1	BODY	ASTM A105 / A216-WCB	1
2	END CONNECTION	ASTM A105 / A216-WCB	1
3	BALL	CW 617 UNI EN 12165	1
4	BALL SEAT	P.T.F.E.	2
5	O-RING	FKM (VITON®)	1
6	THRUST WASHER	P.T.F.E.	1
7	O-RING	FKM (VITON®)	1
8	STEM SEAT	P.T.F.E.	1
9	PACKING GLAND	CARBON STEEL	1
10	END STOP	INOX AISI 430 (DN15 - DN50) CARBON STEEL DN65 - DN150)	2-1
11	SPRING WASHER	CARBON STEEL	2
12	NUT	CARBON STEEL	2
13	STEM	A182 - F304	1
14	HANDLE	CARBON STEEL	1
15	LEVA DN150-200	CARBON STEEL	1
16	SCREW	CARBON STEEL	1
17	SCREW	CARBON STEEL	8-12
18	BODY HANDLE DN 150-200	EN-GJL-250	1

MISURA SIZE	DN	D	Y	Z	L	R	P	A	C	T	E	F	ØN	B	Kv	PN	Kg
1/2"	15	90	61	4 X M14	35	131	65	47	15,5	9	10	7	32	4 X M5	16,3	20	1,30
3/4"	20	100	70	4 X M14	40	131	69	51,5	15,5	9	10	7	32	4 X M5	29,5	20	1,80
1"	25	110	80	4 X M14	46	174	80	61	17	11	12	8	42	4 X M5	43	20	2,70
1 1/4"	32	118	89	4 X M14	54	174	84	64,5	15	11	12	8	42	4 X M5	89	20	4,30
1 1/2"	40	127	99	4 X M14	63,5	250	102	78	24,5	13	16	10	50	4 X M6	230	20	5,10
2"	50	150	121	4 X M16	82	250	111	87	25	13	16	10	50	4 X M6	265	20	8,80
2 1/2"	65	175	140	4 X M16	103	321	128	104,5	25	18	20	14	70	4 X M8	540	20	15,60
3"	80	190	153	4 X M16	122	321	138	115	28,5	18	20	14	70	4 X M8	873	20	20,80
4"	100	220	191	8 X M16	152	381	156	137	34,5	22	24	18	102	4 X M10	1390	20	34,20

5"	125	250	216	8 X M20	196	381	178	159	34	22	24	18	102	4 X M10	1707	20	52,50
6"	150	280	242	8 X M20	232	700	266	201,5	51,5	30	42	30	125	4 X M12	2024	20	61,50
8"	200	345	298,5	8 X Ø22	457	700	332	288	68	28	42	30	125	4 X M12	2720	20	124,00

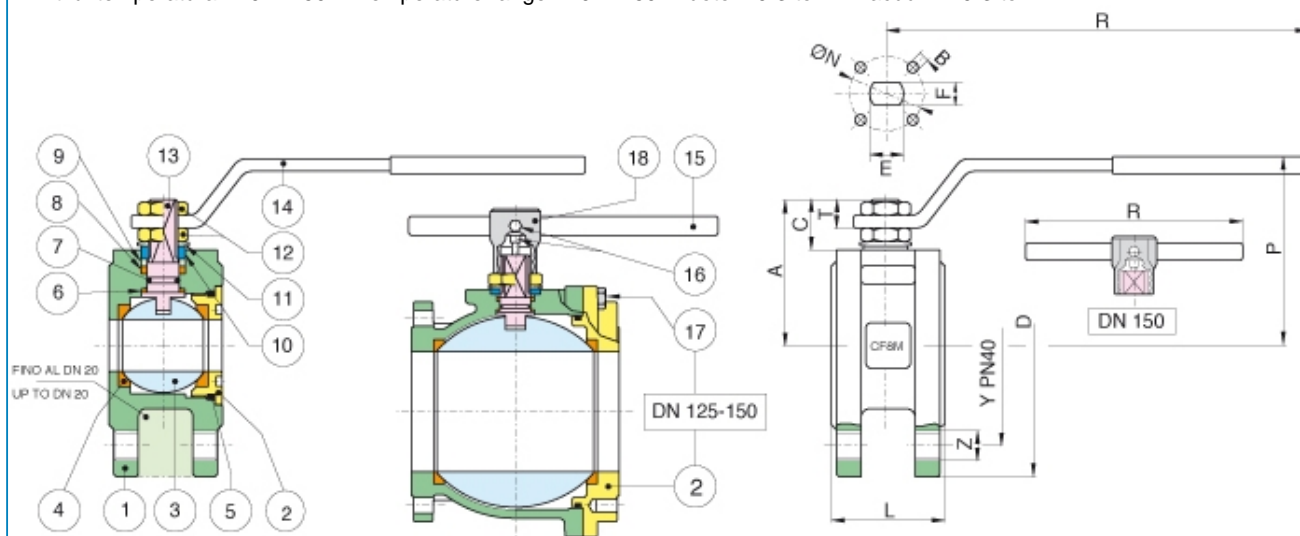


Serie **WAFER PN40.**

Articolo **720052**

Full bore flanged ball valve PN40, degreased for oxygen.

Limiti di temperatura: -20° +160° - Temperature range: -20° +160° Vuoto: 10-3 torr. - Vacuum: 10-3 torr.



POS.	PART NAME	MATERIALE - MATERIALS - MATERIAUX - WERKSTOFF- MATERIAL	N°P
1	BODY	A351-CF8M / A182-F316	1
2	END CONNECTION	A351-CF8M / A182-F316	1
3	BALL	A351-CF8M / A182-F316	1
4	BALL SEAT	P.T.F.E.+GLASS	2
5	O-RING	FKM (VITON®)	1
6	THRUST WASHER	P.T.F.E.	1
7	O-RING	FKM (VITON®)	1
8	STEM SEAT	P.T.F.E.	1
9	PACKING GLAND	CARBON STEEL	1
10	END STOP	INOX AISI 430 (DN15 - DN50) CARBON STEEL DN65 - DN150)	2-1
11	SPRING WASHER	CARBON STEEL	2
12	NUT	CARBON STEEL	2
13	STEM	A182-F316	1
14	HANDLE	CARBON STEEL	1
15	HANDLE DN 150	CARBON STEEL	1
16	SCREW	CARBON STEEL	1
17	SCREW	CARBON STEEL	8-12
18	CORPO LEVA DN150	CUERPO PALANCA DN 150	1

MISURA SIZE	DN	D	Y	Z	L	R	P	A	C	T	E	F	ØN	B	Kv	PN	Kg
1/2"	15	90	65	4 X M12	35	131	65	47	15,5	9	10	7	32	4 X M5	16,3	40	1,3
3/4"	20	100	75	4 X M12	40	131	69	51,5	15,5	9	10	7	32	4 X M5	29,5	40	1,8
1"	25	115	85	4 X M12	46	174	80	61	19,5	11	12	8	42	4 X M5	43	40	2,2
1 1/4"	32	140	100	4 X M16	54	174	84	64,5	16,5	11	12	8	42	4 X M5	89	40	3,3
1 1/2"	40	150	110	4 X M16	63,5	250	102	78	24,5	13	16	10	50	4 X M6	230	40	3,3
2"	50	165	125	4 X M16	82	250	111	87	25	13	16	10	50	4 X M6	265	40	5,5
2 1/2"	65	185	145	8 X M16	103	321	128	104,5	25	18	20	14	70	4 X M8	540	40	9,6
3"	80	200	160	8 X M16	122	321	138	115	28,5	18	20	14	70	4 X M8	873	40	12,8
4"	100	220	190	8 X M20	152	381	156	137	34,5	22	24	18	102	4 X M10	1390	40	21,1

5"	125	270	220	8 X M24	196	381	178	159	34	22	24	18	102	4 X M10	1707	40	-
6"	150	300	250	8 X M24	232	700	266	201,5	51,5	30	42	30	125	4 X M12	2024	40	46,1
8"	200	320	320	12 x Ø29	400	700	348	290	68	40	42	30	125	4 x M12	2720	40	143,00



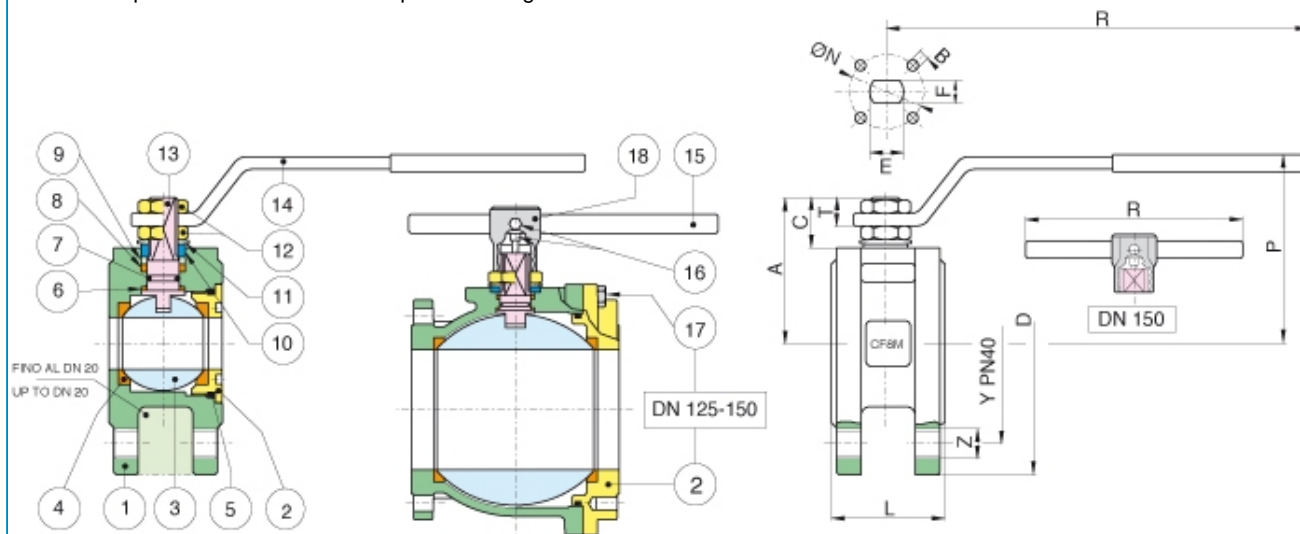


Serie **WAFER PN40.**

Articolo **720244**

Full bore flanged ball valve PN40, Fire Safe, Antistatic Device.

Limiti di temperatura: -20° +160° - Temperature range: -20° +160° Vuoto: 10-3 torr. - Vacuum: 10-3 torr.



POS.	PART NAME	MATERIALE - MATERIALS - MATERIAUX WERKSTOFF- MATERIAL	N°P
1	BODY	ASTM A105 / A216-WCB	1
2	END CONNECTION	ASTM A105 / A216-WCB	1
3	BALL	A351-CF8/ A182-F304	1
4	BALL SEAT	P.T.F.E.+CARBOGRAFITE	2
5	O-RING	FKM (VITON®)	1
6	THRUST WASHER	P.T.F.E.	1
7	O-RING	FKM (VITON®)	1
8	STEM SEAT	P.T.F.E.	1
9	PACKING GLAND	CARBON STEEL	1
10	END STOP	INOX AISI 430 (DN15 - DN50) CARBON STEEL DN65 - DN150)	2-1
11	SPRING WASHER	CARBON STEEL	2
12	NUT	CARBON STEEL	2
13	STEM	A182 - F304	1
14	HANDLE	CARBON STEEL	1
15	HANDLE DN 150	CARBON STEEL	1
16	SCREW	CARBON STEEL	1
17	SCREW	CARBON STEEL	8-12
18	CORPO LEVA DN150	EN-GJL-250	1

MISURA SIZE	DN	D	Y	Z	L	R	P	A	C	T	E	F	ØN	B	Kv	PN	Kg
1/2"	15	90	65	4 X M12	35	131	65	47	15,5	9	10	7	32	4 X M5	16,3	40	1,30
3/4"	20	100	75	4 X M12	40	131	69	51,5	15,5	9	10	7	32	4 X M5	29,5	40	1,80
1"	25	115	85	4 X M12	46	174	80	61	19,5	11	12	8	42	4 X M5	43	40	2,70
1 1/4"	32	140	100	4 X M16	54	174	84	64,5	16,5	11	12	8	42	4 X M5	89	40	4,30
1 1/2"	40	150	110	4 X M16	63,5	250	102	78	24,5	13	16	10	50	4 X M6	230	40	5,10
2"	50	165	125	4 X M16	82	250	111	87	25	13	16	10	50	4 X M6	265	40	8,80
2 1/2"	65	185	145	8 X M16	103	321	128	104,5	25	18	20	14	70	4 X M8	540	40	15,60

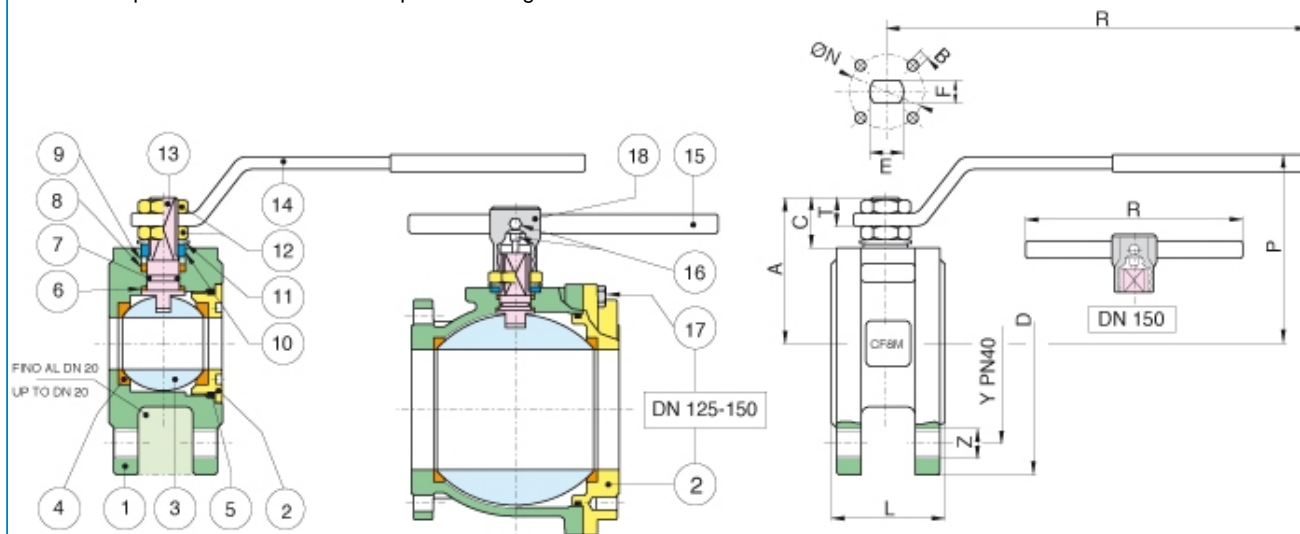


Serie **WAFER PN40.**

Articolo **720260**

Full bore flanged ball valve PN40, Fire Safe, Antistatic Device.

Limiti di temperatura: -20° +160° - Temperature range: -20° +160° Vuoto: 10-3 torr. - Vacuum: 10-3 torr.



POS.	PART NAME	MATERIALE - MATERIALS - MATERIAUX WERKSTOFF- MATERIAL	N°P
1	BODY	ASTM A105 / A216-WCB	1
2	END CONNECTION	ASTM A105 / A216-WCB	1
3	BALL	A351-CF8/ A182-F304	1
4	BALL SEAT	P.T.F.E.+CARBOGRAFITE	2
5	O-RING	FKM (VITON®)	1
6	THRUST WASHER	P.T.F.E.	1
7	O-RING	FKM (VITON®)	1
8	STEM SEAT	P.T.F.E.	1
9	PACKING GLAND	CARBON STEEL	1
10	END STOP	INOX AISI 430 (DN15 - DN50) CARBON STEEL DN65 - DN150)	2-1
11	SPRING WASHER	CARBON STEEL	2
12	NUT	CARBON STEEL	2
13	STEM	A182 - F304	1
14	HANDLE	CARBON STEEL	1
15	HANDLE DN 150	CARBON STEEL	1
16	SCREW	CARBON STEEL	1
17	SCREW	CARBON STEEL	8-12
18	CORPO LEVA DN150	EN-GJL-250	1

MISURA SIZE	DN	D	Y	Z	L	R	P	A	C	T	E	F	ØN	B	Kv	PN	Kg
1/2"	15	90	65	4 X M12	35	131	65	47	15,5	9	10	7	32	4 X M5	16,3	40	1,30
3/4"	20	100	75	4 X M12	40	131	69	51,5	15,5	9	10	7	32	4 X M5	29,5	40	1,80
1"	25	115	85	4 X M12	46	174	80	61	19,5	11	12	8	42	4 X M5	43	40	2,70
1 1/4"	32	140	100	4 X M16	54	174	84	64,5	16,5	11	12	8	42	4 X M5	89	40	4,30
1 1/2"	40	150	110	4 X M16	63,5	250	102	78	24,5	13	16	10	50	4 X M6	230	40	5,10
2"	50	165	125	4 X M16	82	250	111	87	25	13	16	10	50	4 X M6	265	40	8,80
2 1/2"	65	185	145	8 X M16	103	321	128	104,5	25	18	20	14	70	4 X M8	540	40	15,60

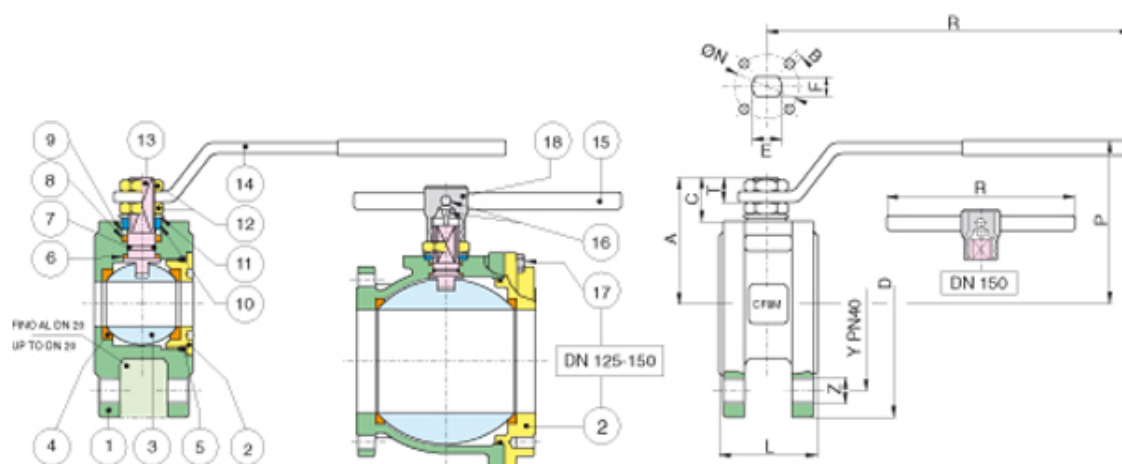


Serie **WAFER PN40.**

Articolo **720273**

Full bore flanged ball valve PN40, degreased for oxygen.

Limiti di temperatura: -20° +160° - Temperature range: -20° +160° Vuoto: 10-3 torr. - Vacuum: 10-3 torr.



POS.	PART NAME	MATERIALE - MATERIALS - MATERIAUX WERKSTOFF- MATERIAL	N°P
1	BODY	ASTM A105 / A216-WCB	1
2	END CONNECTION	ASTM A105 / A216-WCB	1
3	BALL	A351-CF8/ A182-F304	1
4	BALL SEAT	P.T.F.E.+GLASS	2
5	O-RING	FKM (VITON®)	1
6	THRUST WASHER	P.T.F.E.	1
7	O-RING	FKM (VITON®)	1
8	STEM SEAT	P.T.F.E.	1
9	PACKING GLAND	CARBON STEEL	1
10	END STOP	INOX AISI 430 (DN15 - DN50) CARBON STEEL DN65 - DN150)	2-1
11	SPRING WASHER	CARBON STEEL	2
12	NUT	CARBON STEEL	2
13	STEM	A182 - F304	1
14	HANDLE	CARBON STEEL	1
15	HANDLE DN 150	CARBON STEEL	1
16	SCREW	CARBON STEEL	1
17	SCREW	CARBON STEEL	8-12
18	CORPO LEVA DN150	EN-GJL-250	1

MISURA SIZE	DN	D	Y	Z	L	R	P	A	C	T	E	F	ØN	B	Kv	PN	Kg
1/2"	15	90	65	4 X M12	35	131	65	47	15,5	9	10	7	32	4 X M5	16,3	40	1,30
3/4"	20	100	75	4 X M12	40	131	69	51,5	15,5	9	10	7	32	4 X M5	29,5	40	1,80
1"	25	115	85	4 X M12	46	174	80	61	19,5	11	12	8	42	4 X M5	43	40	2,70
1"1/4	32	140	100	4 X M16	54	174	84	64,5	16,5	11	12	8	42	4 X M5	89	40	4,30
1"1/2	40	150	110	4 X M16	63,5	250	102	78	24,5	13	16	10	50	4 X M6	230	40	5,10
2"	50	165	125	4 X M16	82	250	111	87	25	13	16	10	50	4 X M6	265	40	8,80
2"1/2	65	185	145	8 X M16	103	321	128	104,5	25	18	20	14	70	4 X M8	540	40	15,60
3"	80	200	160	8 X M16	122	321	138	115	28,5	18	20	14	70	4 X M8	873	40	20,80
4"	100	220	190	8 X M20	152	381	156	137	34,5	22	24	18	102	4 X M10	1390	40	39,30
5"	125	270	220	8 X M24	196	381	178	159	34	22	24	18	102	4 X M10	1707	40	53,60
6"	150	300	250	8 X M24	232	700	266	201,5	51,5	30	42	30	125	4 X M12	2024	40	91,00
8"	200	320	320	12 x Ø29	400	700	348	290	68	40	42	30	125	4 x M12	2720	40	143,00

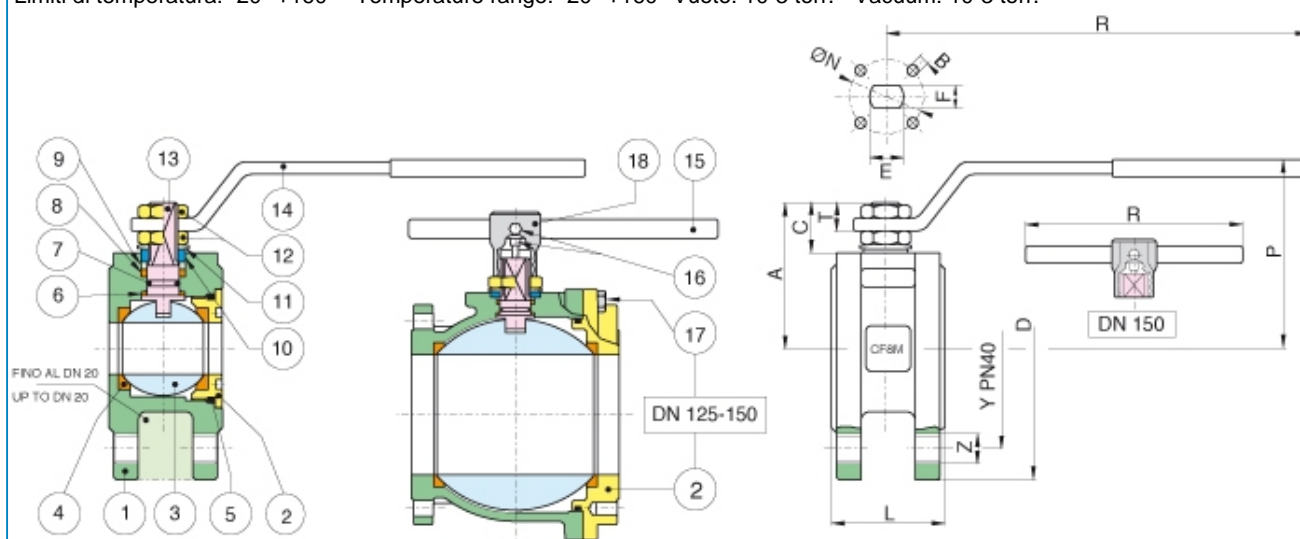


Serie **WAFER PN40.**

Articolo **720388**

Full bore flanged ball valve PN40, Fire Safe, Antistatic Device.

Limiti di temperatura: -20° +160° - Temperature range: -20° +160° Vuoto: 10-3 torr. - Vacuum: 10-3 torr.



POS.	PART NAME	MATERIALE - MATERIALS - MATERIAUX - WERKSTOFF- MATERIAL	N°P
1	BODY	A351-CF8M / A182-F316	1
2	END CONNECTION	A351-CF8M / A182-F316	1
3	BALL	A351-CF8M / A182-F316	1
4	BALL SEAT	P.T.F.E.+GLASS	2
5	O-RING	FKM (VITON®)	1
6	THRUST WASHER	P.T.F.E.	1
7	O-RING	FKM (VITON®)	1
8	STEM SEAT	P.T.F.E.	1
9	PACKING GLAND	CARBON STEEL	1
10	END STOP	INOX AISI 430 (DN15 - DN50) CARBON STEEL DN65 - DN150)	2-1
11	SPRING WASHER	CARBON STEEL	2
12	NUT	CARBON STEEL	2
13	STEM	A182-F316	1
14	HANDLE	CARBON STEEL	1
15	HANDLE DN 150	CARBON STEEL	1
16	SCREW	CARBON STEEL	1
17	SCREW	CARBON STEEL	8-12
18	CORPO LEVA DN150	CUERPO PALANCA DN 150	1

MISURA SIZE	DN	D	Y	Z	L	R	P	A	C	T	E	F	ØN	B	Kv	PN	Kg
1/2"	15	90	65	4 X M12	35	131	65	47	15,5	9	10	7	32	4 X M5	16,3	40	1,3
3/4"	20	100	75	4 X M12	40	131	69	51,5	15,5	9	10	7	32	4 X M5	29,5	40	1,8
1"	25	115	85	4 X M12	46	174	80	61	19,5	11	12	8	42	4 X M5	43	40	2,2
1 1/4"	32	140	100	4 X M16	54	174	84	64,5	16,5	11	12	8	42	4 X M5	89	40	3,3
1 1/2"	40	150	110	4 X M16	63,5	250	102	78	24,5	13	16	10	50	4 X M6	230	40	3,3
2"	50	165	125	4 X M16	82	250	111	87	25	13	16	10	50	4 X M6	265	40	5,5
2 1/2"	65	185	145	8 X M16	103	321	128	104,5	25	18	20	14	70	4 X M8	540	40	9,6