

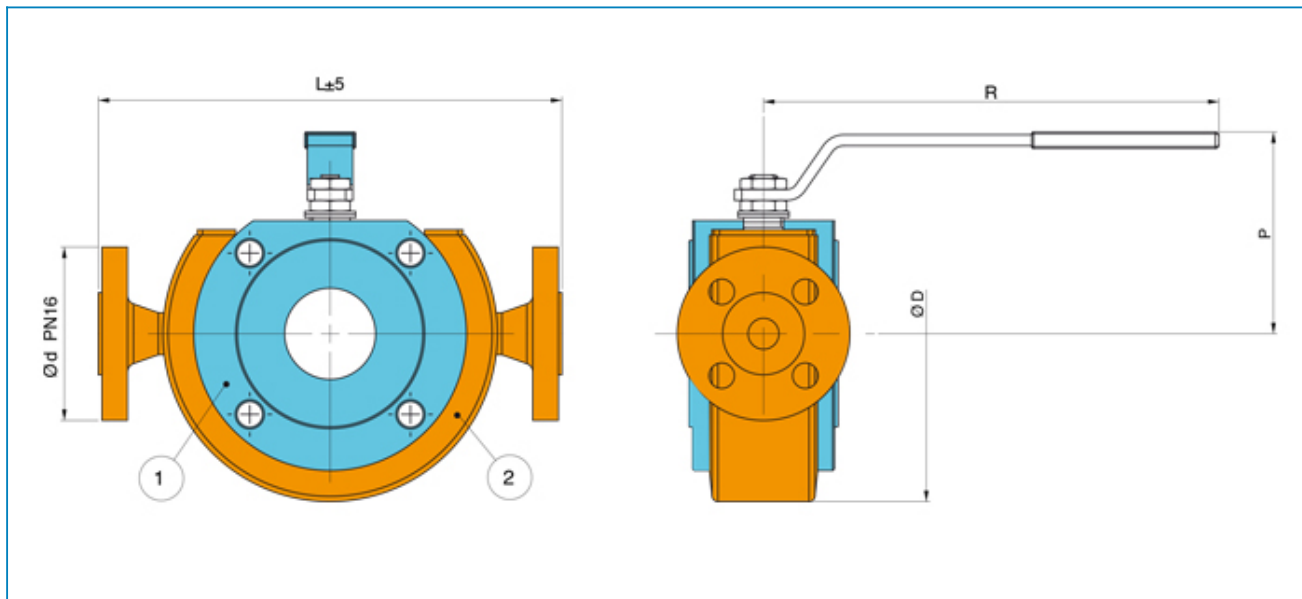
NEW

Serie **WAFER CON CAMICIA-FLANGIA**

Articolo **720276**

INOX

Flanged ball valve, with jacket in stainless full bore, sizes DN15 to DN150.



| POS. | PART NAME | MATERIALE - MATERIALS - MATERIAUX WERKSTOFF- MATERIAL | N°P |
|------|----------------|---|-----|
| 1 | BALL | A351-CF8M/A182-F316 | 1 |
| 2 | heating jacket | STAINLESS STEEL | 1 |

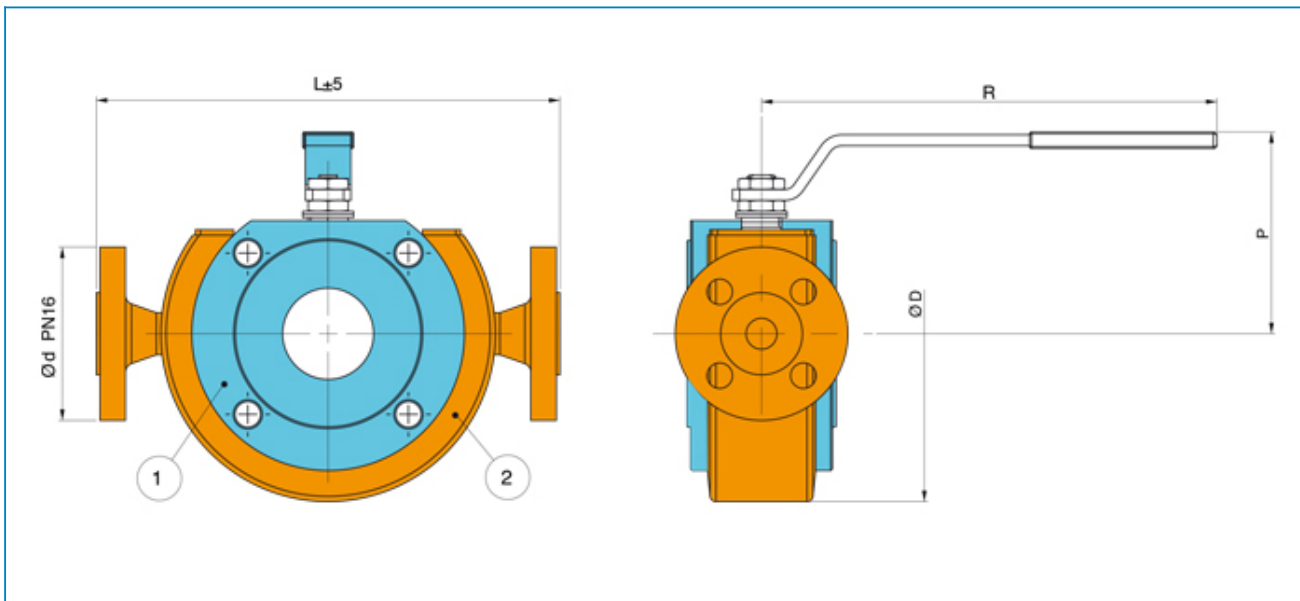
Valvola base Art.721000 - Basic valve art. 721000

Pressione max di lavoro nella camicia di riscaldamento: 10 bar - Maximum working pressure inside the heating jacket: 10 bar

| MISURA SIZE | DN | ØD | R | P | L | Ød | Kv | PN | Kg |
|-------------|-----|-----|-----|-----|-----|-----------|--------|----|------|
| 1/2" | 15 | 119 | 131 | 65 | 200 | DN15 PN16 | 19,2 | 16 | 3,1 |
| 3/4" | 20 | 129 | 131 | 69 | 210 | DN15 PN16 | 35 | 16 | 3,7 |
| 1" | 25 | 139 | 174 | 80 | 210 | DN15 PN16 | 64,5 | 16 | 4,6 |
| 1"1/4 | 32 | 160 | 174 | 84 | 230 | DN15 PN16 | 103,8 | 16 | 6,2 |
| 1"1/2 | 40 | 170 | 250 | 102 | 240 | DN15 PN16 | 174 | 16 | 8 |
| 2" | 50 | 184 | 250 | 111 | 255 | DN15 PN16 | 301,3 | 16 | 11 |
| 2"1/2 | 65 | 189 | 321 | 128 | 260 | DN15 PN16 | 545,7 | 16 | 12,4 |
| 3" | 80 | 204 | 321 | 138 | 275 | DN15 PN16 | 872,5 | 16 | 16,1 |
| 4" | 100 | 224 | 381 | 156 | 300 | DN25 PN16 | 1363,3 | 16 | 24,3 |
| 5" | 125 | 256 | 381 | 178 | 380 | DN25 PN16 | 2360,3 | 16 | 41,5 |
| 6" | 150 | 289 | 700 | 266 | 415 | DN25 PN16 | 3671,1 | 16 | 67,5 |

NEWSerie **WAFER CON CAMICIA-FLANGIA**Articolo **720023****CARBONIO**

Flanged ball valve, with jacket in carbon steel, full bore, sizes DN15 to DN150.



| POS. | PART NAME | MATERIALE - MATERIALS - MATERIAUX WERKSTOFF- MATERIAL | N°P |
|------|----------------|---|-----|
| 1 | BALL | A216-WCB/ASTM-A105 | 1 |
| 2 | heating jacket | CARBON STEEL | 1 |

Valvola base Art.722000 - Basic valve art. 722000

Pressione max di lavoro nella camicia di riscaldamento: 10 bar - Maximum working pressure inside the heating jacket: 10 bar

| MISURA SIZE | DN | ØD | R | P | L | Ød | Kv | PN | Kg |
|-------------|-----|-----|-----|-----|-----|-----------|--------|----|------|
| 1/2" | 15 | 119 | 131 | 65 | 200 | DN15 PN16 | 19,2 | 16 | 3,1 |
| 3/4" | 20 | 129 | 131 | 69 | 210 | DN15 PN16 | 35 | 16 | 3,7 |
| 1" | 25 | 139 | 174 | 80 | 210 | DN15 PN16 | 64,5 | 16 | 4,6 |
| 1"1/4 | 32 | 160 | 174 | 84 | 230 | DN15 PN16 | 103,8 | 16 | 6,2 |
| 1"1/2 | 40 | 170 | 250 | 102 | 240 | DN15 PN16 | 174 | 16 | 8 |
| 2" | 50 | 184 | 250 | 111 | 255 | DN15 PN16 | 301,3 | 16 | 11 |
| 2"1/2 | 65 | 205 | 321 | 128 | 260 | DN15 PN16 | 545,7 | 16 | 17,9 |
| 3" | 80 | 220 | 321 | 138 | 275 | DN15 PN16 | 872,5 | 16 | 23,1 |
| 4" | 100 | 250 | 381 | 156 | 300 | DN25 PN16 | 1363,3 | 16 | 27,6 |
| 5" | 125 | 280 | 381 | 178 | 380 | DN25 PN16 | 2360,3 | 16 | 56,5 |
| 6" | 150 | 332 | 700 | 266 | 415 | DN25 PN16 | 3671,1 | 16 | 97 |