

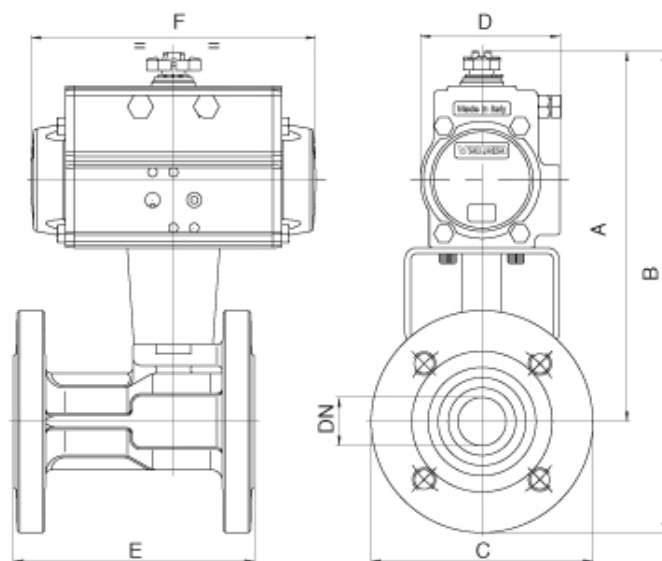


Serie **2 vie**

Articolo **8P004500 - 8P004600**

2 way flanged PN16 ball valve [Valpres Art. 730008 from DN25 to DN65 - Art. 730003 from DN80 to DN200], cast iron, with chrome plated ball and stem in stainless steel AISI 304, full bore, face to face to EN558 basic series 14 (DN200 basic series 27).

PRESSIONE MINIMA ALIMENTAZIONE ATTUATORE 6 bar actuator air supply pressure minimum 6 bar



Art. 8P004500

VALVOLA CON ATTUATORE DOPPIO EFFETTO VALVE WITH DOUBLE ACTING ACTUATOR

DN	25	32	40	50	65	80	100	125	150	200
PN	16	16	16	16	16	16	16	16	16	16
A	191	198	227	252	280	291	343	400	435	499
B	249	268	302	335	373	391	453	525	578	669
C	115	140	150	165	185	200	220	250	285	340
D	71	71	81	95	106	106	123	137	148	164
E	125	130	140	150	170	180	190	200	210	400
F	141	141	164	210	241	241	275	333	372	435
ACT.	DA 52	DA 52	DA 63	DA 75	DA 85	DA 85	DA 100	DA 115	DA 125	DA 140
RI	3001	3001	3002	3009	3003	3003	3004	3005	3006	3039

Art. 8P004600

VALVOLA CON ATTUATORE SEMPLICE EFFETTO VALVE WITH SPRING RETURN ACTUATOR

DN	25	32	40	50	65	80	100	125	150	200
PN	16	16	16	16	16	16	16	16	16	16
A	203	209	259	279	348	371	389	434	481	523
B	261	279	334	362	441	471	499	559	624	693
C	115	140	150	165	185	200	220	250	285	340
D	81	81	106	123	137	148	148	164	186	186
E	125	130	140	150	170	180	190	200	210	400
F	164	164	241	275	333	372	372	435	500	500
ACT.	SR 63	SR 63	SR 85	SR 100	SR 115	SR 125	SR 125	SR 140	SR 160	SR 160
RI	3007	3007	3009	3009	3010	3010	3005	3037	3039	3039

