

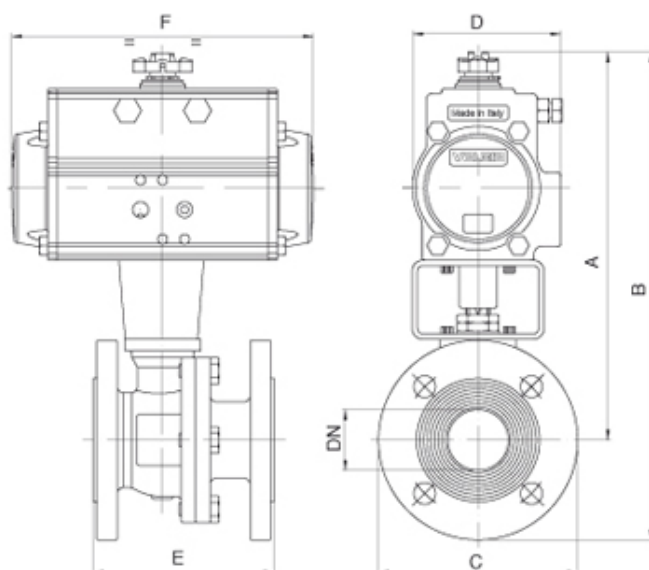


Serie **2 vie**

Articolo **8P011700 - 8P011800**

"SPLIT BODY" [Valpres Art. 760000], full bore, flanged PN16 ball valve, stainless steel CF8M, Fire Safe, Antistatic Device, Face to face EN 558 basic series 27, classified ATEX Ex II 2 G/D c T4 , with actuator classified ATEX Ex II 2 G/D c T6.

PRESSIONE MINIMA ALIMENTAZIONE ATTUATORE 6 bar actuator air supply pressure minimum 6 bar



Art. 8P011700

VALVOLA CON ATTUATORE DOPPIO EFFETTO VALVE WITH DOUBLE ACTING ACTUATOR

DN	15	20	25	32	40	50	65	80	100	125	150	200
PN	40	40	40	40	40	40	16	16	16	16	16	16
A	148	189	207	210	250	275	299	333	360	382	462	527
B	195	242	265	280	325	357	392	433	470	507	604	697
C	95	105	115	140	150	165	185	200	220	250	285	340
D	45	71	71	71	81	95	106	106	123	123	148	164
E	115	120	125	130	140	150	170	180	190	325	350	400
F	110	141	141	141	164	210	241	241	275	275	372	435
ACT.	DA 32	DA 52	DA 52	DA 52	DA 63	DA 75	DA 85	DA 85	DA 100	DA 100	DA 125	DA 140
RI	3518	3519	3520	3520	3521	3522	3522	3523	3552	3552	3553	3554

Art. 8P011800

VALVOLA CON ATTUATORE SEMPLICE EFFETTO VALVE WITH SPRING RETURN ACTUATOR

DN	15	20	25	32	40	50	65	80	100	125	150	200
PN	40	40	40	40	40	40	16	16	16	16	16	16
A	184	200	219	222	282	302	346	393	407	452	508	552
B	232	253	277	292	357	385	439	493	517	577	651	722
C	95	105	115	140	150	165	185	200	220	250	285	340
D	71	81	81	81	106	123	137	148	148	164	186	186
E	115	120	125	130	140	150	170	180	190	325	350	400
F	141	164	164	164	241	275	333	372	372	435	500	500
ACT.	SR 52	SR 63	SR 63	SR 63	SR 85	SR 100	SR 115	SR 125	SR 125	SR 140	SR 160	SR 160
RI	3519	3829	3525	3525	3526	3522	3527	3528	3528	3997	3554	3554

