

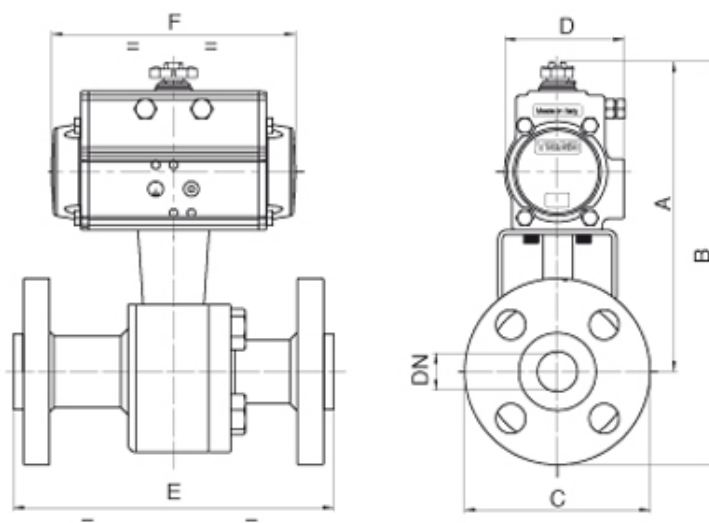


Serie **2 vie**

Articolo **8P027300 - 8P027400**

"SPLIT BODY" full bore [Valpres Art. 760200], flanged ball valve, ANSI 600, steel AISI316, Antistatic Device, ANSI B16.10, with actuator.

PRESSIONE MINIMA ALIMENTAZIONE ATTUATORE 6 bar actuator air supply pressure minimum 6 bar



Art. 8P027300

VALVOLA CON ATTUATORE DOPPIO EFFETTO VALVE WITH DOUBLE ACTING ACTUATOR

MISURA - SIZE	1/2"	3/4"	1"	1"1/2	2"	3"	4"
PN	100	100	100	100	100	100	100
A	185	188	218	280	279	377	429
B	232	246	281	358	361	482	567
C	95	115	125	155	165	210	275
D	71	71	81	106	106	148	164
E	165	191	216	241	292	356	432
F	141	141	164	241	241	372	438
ACT.	DA 52	DA 52	DA 63	DA 85	DA 85	DA 125	DA 140
RI	3519	3519	3563	3526	3522	3565	3997

Art. 8P027400

VALVOLA CON ATTUATORE SEMPLICE EFFETTO VALVE WITH SPRING RETURN ACTUATOR

MISURA - SIZE	1/2"	3/4"	1"	1"1/2	2"	3"	4"
PN	100	100	100	100	100	100	100
A	196	218	250	328	326	423	485
B	244	275	313	405	409	528	623
C	95	115	125	155	165	210	275
D	81	95	106	137	137	186	213
E	165	191	216	241	292	356	432
F	164	210	241	333	333	500	493
ACT.	SR 63	SR 75	SR 85	SR 115	SR 115	SR 160	SR 180
RI	3829	3571	3573	4754	3527	3997	4755

