

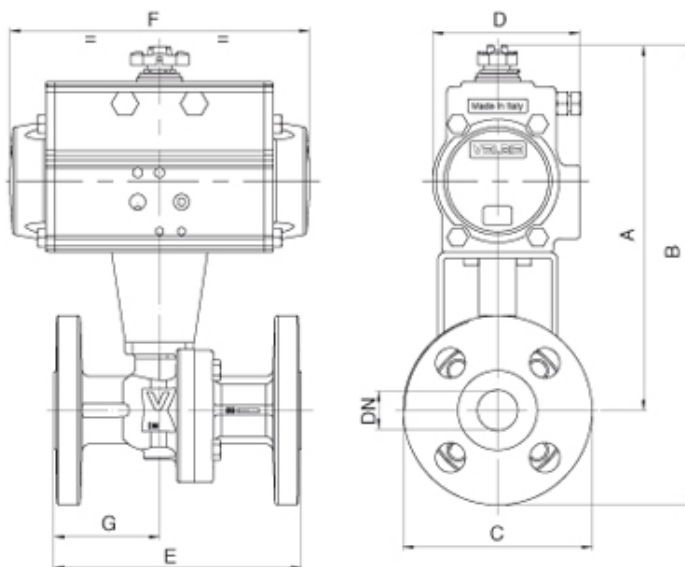


Serie **2 vie**

Articolo **8P021300 - 8P021400**

"Split body" type flanged ANSI300 ball valve [Valpres Art. 761030], stainless steel AISI 316-CF8M, full bore, Fire Safe, Antistatic Device, face to face to ANSI B16.10, classified ATEX Ex II 2 G/D c T4, with actuator classified ATEX Ex II 2 G/D c T6.

PRESSIONE MINIMA ALIMENTAZIONE ATTUATORE 6 bar actuator air supply pressure minimum 6 bar



Art. 8P021300

VALVOLA CON ATTUATORE DOPPIO EFFETTO VALVE WITH DOUBLE ACTING ACTUATOR

DN	15	20	25	40	50	80	100	150
PN	50	50	50	50	50	50	50	50
A	185	200	218	268	289	346	395	508
B	233	259	281	346	372	451	523	668
C	95	118	125	155	165	210	255	320
D	71	81	81	95	106	123	137	186
E	140	152	165	190	216	283	305	403
F	141	164	164	210	241	275	333	500
G	62	61	71	79	86	81	89	172
ACT.	DA 52	DA 63	DA 63	DA 75	DA 85	DA 100	DA 115	DA 160
RI	3519	3829	3563	3526	3522	3552	3565	3554

Art. 8P021400

VALVOLA CON ATTUATORE SEMPLICE EFFETTO VALVE WITH SPRING RETURN ACTUATOR

DN	15	20	25	40	50	80	100	150
PN	50	50	50	50	50	50	50	50
A	196	232	250	295	336	393	453	726
B	244	291	313	373	419	498	581	886
C	95	118	125	155	165	210	255	320
D	81	106	106	123	137	148	186	290
E	140	152	165	190	216	283	305	403
F	164	241	241	275	333	372	500	672
G	62	61	71	79	86	81	89	172
ACT.	SR 63	SR 85	SR 85	SR 100	SR 115	SR 125	SR 160	SR 270

