

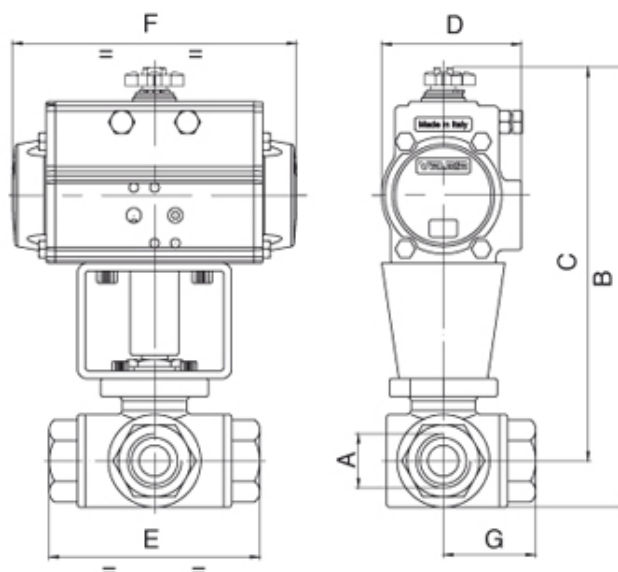


Serie **3 vie**

Articolo **8P005900 (T) - 8P006100 (T) - 8P006000 (L) - 8P006200 (L)**

3 way ball valve [Valpres Artt. 772000 (T) - 775000 (L)], investment casted, in stainless steel AISI 316, threaded F/F/F with 4 seats REDUCED bore, "T" or "L" port, with actuator.

PRESSIONE MINIMA ALIMENTAZIONE ATTUATORE 6 bar actuator air supply pressure minimum 6 bar



Art. 8P005900 tre vie a "T" Art. 8P006000 tre vie a "L"

VALVOLA CON ATTUATORE DOPPIO EFFETTO VALVE WITH DOUBLE ACTING ACTUATOR

PN	64	64	64	64	64	64	64	64
DN - A	1/4"	3/8"	1/2"	3/4"	1"	1"1/4	1"1/2	2"
B	195	195	199	231	239	266	294	309
C	179	179	183	210	214	219	260	269
D	71	71	71	81	81	81	106	106
E	70	70	79	87	103	118	126	149
F	141	141	141	164	164	164	241	241
G	35	35	38	45	52	58	63	75
ACT.	DA 52	DA 52	DA 52	DA 63	DA 63	DA 63	DA 85	DA 85
RI	3760	3760	3760	3770	3762	3763	3764	3765

Art. 8P006100 tre vie a "T" Art. 8P006200 tre vie a "L"

VALVOLA CON ATTUATORE SEMPLICE EFFETTO VALVE WITH SPRING RETURN ACTUATOR

PN	64	64	64	64	64	64	64	64
DN - A	1/4"	3/8"	1/2"	3/4"	1"	1"1/4	1"1/2	2"
B	207	207	210	249	271	280	341	356
C	190	190	194	228	246	252	307	316
D	81	81	81	95	106	106	137	137
E	70	70	76	87	103	118	126	149
F	164	164	164	210	241	241	333	333
G	35	35	38	45	52	58	63	75
ACT.	SR 63	SR 63	SR 63	SR 75	SR 85	SR 85	SR 115	SR 115
RI	3769	3769	3769	3773	3771	3772	4310	4311

