

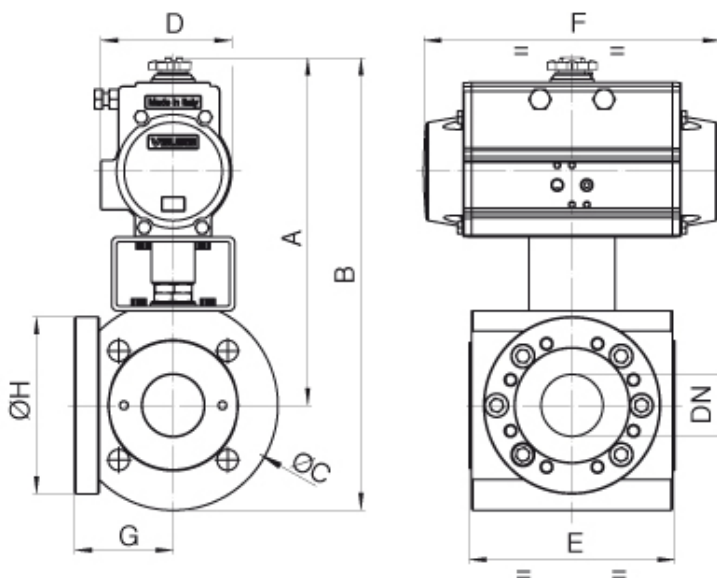


Serie **3 vie**

Articolo **8P028200 (L) - 8P028400 (L) - 8P028300 (T) - 8P028500 (T)**

3-way ball valve type "COMBI-SFER" [Valpres Artt. 776401 (L) - 776400 (T)], L or T ported, with 4 seats, PN16 flanged, stainless steel AISI 316, full bore, with actuator.

PRESSIONE MINIMA ALIMENTAZIONE ATTUATORE 6 bar actuator air supply pressure minimum 6 bar



Art. 8P028200 "L" Art. 8P028300 "T"

VALVOLA CON ATTUATORE DOPPIO EFFETTO VALVE WITH DOUBLE ACTING ACTUATOR

DN	15	20	25	32	40	50	65	80	100
PN	16	16	16	16	16	16	16	16	16
A	185	207	222	253	260	282	306	380	376
B	233	257	277	318	335	367	411	495	515
ØC	95	100	109	130	150	170	210	229	278
D	71	81	81	95	95	106	123	137	137
E	97	108	115	140	150	167	185	216	250
F	141	164	164	210	210	241	275	333	333
G	32	40	41,5	52,5	56,5	62	70	127	150
ØH	/	/	/	/	/	/	/	212	239
ACT.	DA 52	DA 63	DA 63	DA 75	DA 75	DA 85	DA 100	DA 115	DA 115
RI	4408	4409	3563	4410	3522	3522	4411	4412	4412

Art. 8P028400 "L" Art. 8P028500 "T"

VALVOLA CON ATTUATORE SEMPLICE EFFETTO VALVE WITH SPRING RETURN ACTUATOR

DN	15	20	25	32	40	50	65	80	100
PN	16	16	16	16	16	16	16	16	16
A	196	239	254	280	287	330	353	414	410
B	244	289	309	345	362	415	458	529	549
ØC	95	100	109	130	150	170	210	229	278
D	81	106	106	123	123	137	148	164	164
E	97	108	115	140	150	167	185	216	250
F	164	241	241	275	275	333	372	435	435
G	32	40	41,5	52,5	56,5	62	70	127	150

ØH	/	/	/	/	/	/	/	212	239
ACT.	SR 63	SR 85	SR 85	SR 100	SR 100	SR 115	SR 125	SR 140	SR 140
RI	4409	4413	4131	4410	4414	3550	4415	4406	4406