

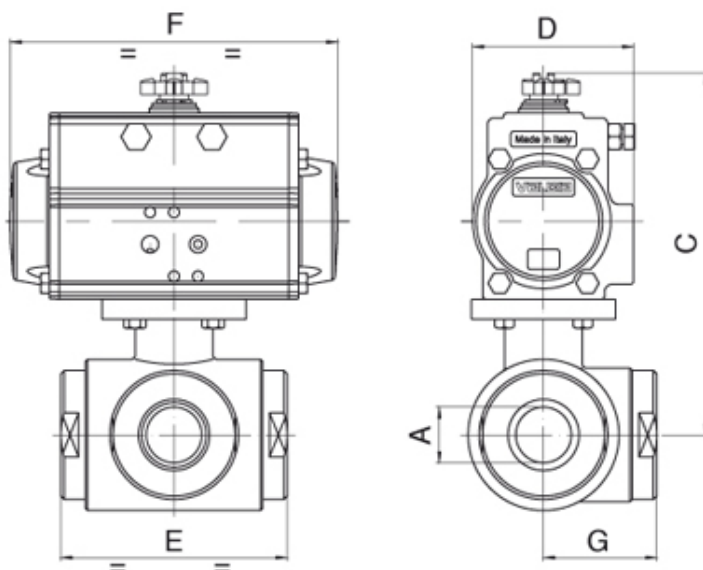


Serie **3 vie**

Articolo **8P006500 (T) - 8P006900 (T) - 8P006600 (L) - 8P007000 (L)**

3 way polished ball valve, from ingot, 4 seals, stainless steel AISI 304, ISO 228 F/F/F threaded, FULL bore, "T" or "L" port, with actuator.

PRESSIONE MINIMA ALIMENTAZIONE ATTUATORE 6 bar actuator air supply pressure minimum 6 bar



Art. 8P006500 (T) Art. 8P006600 (L)

VALVOLA CON ATTUATORE DOPPIO EFFETTO VALVE WITH DOUBLE ACTING ACTUATOR

PN	40	40	40	40	40	40	40	25	25	16	16
DN - A	1/4"	3/8"	1/2"	3/4"	1"	1"1/4	1"1/2	2"	2" 1/2	3"	4"
C	148	148	151	170	174	195	220	237	247	274	289
D	71	71	71	81	81	81	95	106	106	123	123
E	72	72	82	92	102	118	134	144	160	200	240
F	141	141	141	164	164	164	210	241	241	275	275
G	36	36	41	46	51	59	67	72	80	100	120
ACT.	DA 52	DA 52	DA 52	DA 63	DA 63	DA 63	DA 75	DA 85	DA 85	DA 100	DA 100

Art. 8P006900 (T) Art. 8P007000 (L)

VALVOLA CON ATTUATORE SEMPLICE EFFETTO VALVE WITH SPRING RETURN ACTUATOR

PN	40	40	40	40	40	40	40	25	25	16	16
DN - A	1/4"	3/8"	1/2"	3/4"	1"	1"1/4	1"1/2	2"	2" 1/2	3"	4"
C	210	210	212	202	206	227	247	250	297	321	358
D	81	81	81	106	106	106	123	123	137	148	164
E	72	72	82	92	102	118	134	144	160	200	240
F	164	164	164	241	241	241	275	275	333	372	435
G	36	36	41	46	51	59	67	72	80	100	120
ACT.	SR 63	SR 63	SR 63	SR 85	SR 85	SR 85	SR 100	SR 100	SR 115	SR 125	SR 140

IN FASE D'ORDINE DEFINIRE LA POSIZIONE DELLA SFERA - PLEASE SPECIFY THE FLOW PATH WHILE ORDERING.