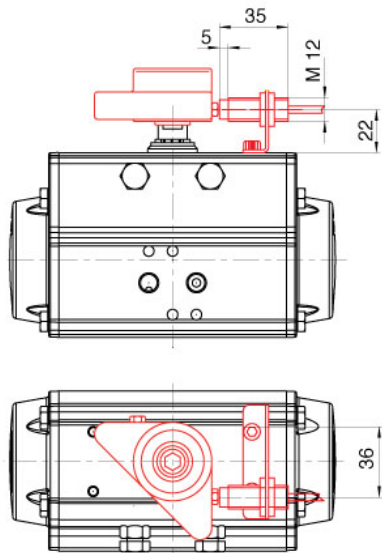
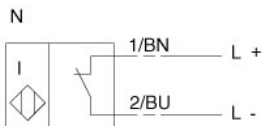


ASSEMBLY SCHEME FOR PEPPERL+FUCHS NcN4-12GM35-NO EExia INDUCTIVE LIMIT SWITCHES



SCHEMA ELETTRICO ELECTRIC WIRING



MAIN CHARACTERISTICS

Type	Cylindrical, threaded M12x1, two wires	Self capacitance	75 nF
Reduction factor	rV2A: 0.74 - rAI: 0.37 - rCu: 0.36	Output indicator	Led yellow
Operating distance Sn mounting	4mm not embeddable	In compliance to EMV	EN 60947 - 5 - 2
Assured operating distance Sa	0...3,24 mm	In compliance with	DIN 19234
Nominal voltage	8V	Protection	IP67
Current consumption:		Working temperature	From -25 to +100
Sensing face covered	1 mA	Connections	2m cable in PVC
Sensing face free	3 mA	Conductor cross section	0.34 mm ²
Switching frequency	1800 Hz	Housing material	High grade steel
Self inductance	36 μH	Sensing face	PBT

CODE	STANDARD VERSIONS
03900007018	"P+F" NAMUR model NCN4-12GM35-NO, IP67, EExia, 2 wire, 8V supply, with 2 meters cable connections in PVC ATEX

CODE	MOUNTING KIT
RI4530	For actuator mod. 32
RI4523	For actuator mod. 52
RI4524	For actuator mod. 63-100
RI4525	For actuator mod. 115-140
RI4526	For actuator mod. 160
RI4527	For actuator mod. 180-200-230-270

* Mod. 330 see switch box