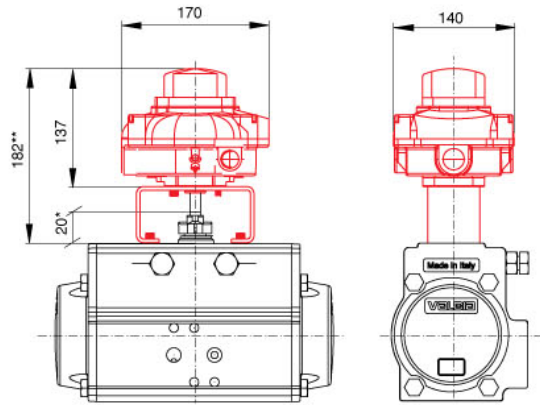


EXPLOSION PROOF LIMIT SWITCH BOX EExd



* 30 mod. 115-125-140-160-180-200-230-270

* 50 mod. 330

** 192 mod. 115-125-140-160-180-200-230-270

** 212 mod. 330

MAIN CHARACTERISTICS

Type	Explosion proof according to EEx d II B T4/T5/T6
Body material	Chromate aluminium, polyester powder coated
Cover material	Chromate aluminium, polyester powder coated
Shaft material	Stainless steel
Protection	N°2 1/2" NPT (M20X1,5 optional) N°1 G3/4" (M25X1,5 optional)
Protection	IP 67

CODE	STANDARD VERSIONS	ACTUATOR MOD.
0390000096	2 Electromechanical limit switches max 5A 250V AC - 3A 24V DC min 50mA 250V AC-50mA 24V DC ATEX	32
0390000097		52÷100
0390000098		115÷270
03900280025		330