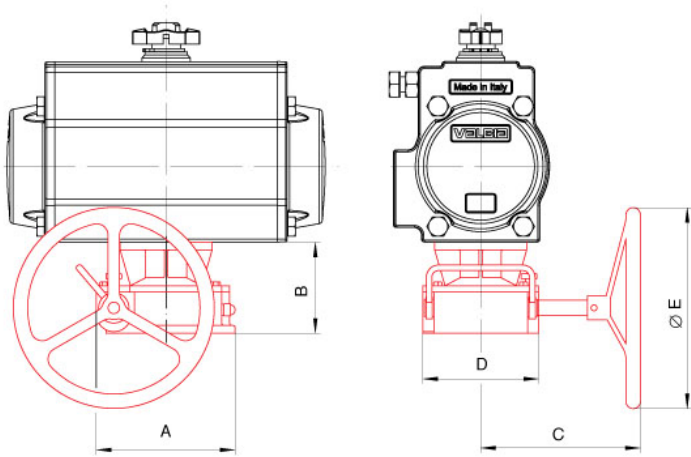


DECLUTCHABLE GEAR OPERATOR



MAIN CHARACTERISTICS

Body material	Aluminium or cast iron, painted
Cover material	Aluminium or cast iron, painted
Shaft material	Stainless steel
Gear segment	Ductile iron
Torque	From 250 Nm to 3500 Nm
Stroke	90°± 5°
Working temperature	-20°C +80°C

CODE	A mm	B mm	C mm	D mm	ØE mm
04700000001	178	115	181	146	200
04700000002	178	115	181	146	200
04700000038	178	115	181	146	200
04700000004	140	121	200	150	300
04700000039	140	121	200	150	300
04700000006	210	171	245	185	400
04700000007	210	171	245	185	400
04700000042	210	171	245	185	600
04700000012	290	192	430	270	600

CODE

STANDARD VERSIONS

CODE	STANDARD VERSIONS
04700000001	DECLUTCHABLE gear operator for actuator mod. DA63 - SR63
04700000002	DECLUTCHABLE gear operator for actuator mod. DA75/85/100 - SR75/85/100
04700000038	DECLUTCHABLE gear operator for actuator mod. SR115
04700000004	DECLUTCHABLE gear operator for actuator mod. DA115/125 - SR125
04700000039	DECLUTCHABLE gear operator for actuator mod. SR140
04700000006	DECLUTCHABLE gear operator for actuator mod. DA140/160 - SR160
04700000007	DECLUTCHABLE gear operator for actuator mod. DA180/200 - SR180/200
04700000042	DECLUTCHABLE gear operator for actuator mod. SR230
04700000012	DECLUTCHABLE gear operator for actuator mod. DA230/270 - SR270