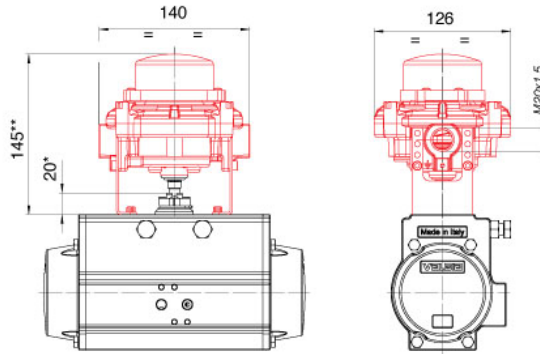


EXPLOSION PROOF LIMIT SWITCH BOX IECEX



* 30 mod. 115-125-140-160-180-200-230-270
 * 50 mod. 330

** 155 mod. 115-125-140-160-180-200-230-270
 ** 174 mod. 330

MAIN CHARACTERISTICS

Type	ATEX, Ex II 2GD Ex d IIC, IECEX
Body material	Die cast aluminum with polyester powder coating
Cover material	Die cast aluminum with polyester powder coating
Shaft material	Stainless steel
Protection	IP67
Working temperature	Standard -20°C + 80°C , optional -40°C + 100°C
Adjusting cam	Independent (splined)
Position indicator	Tri-dimensional, high size
Cable entry	M20x1.5 (1/2"NPT optional)
Mounting kit for actuator	Stainless steel

CODE	STANDARD VERSIONS	ACTUATOR MOD.
03900280030	2 electromech SPDT silver plated contacts max 5A@250VAC-3A@24VDC min 50mA@250VAC 50mA@24VDC	32
03900000156		52÷270
03900280031		330
03900280032	2 proximity PNP NO P-F NBB2 V3 E2, 3 wire amplified, 10-30VDC, 100mA	32
03900000157		52÷270
03900280033		330