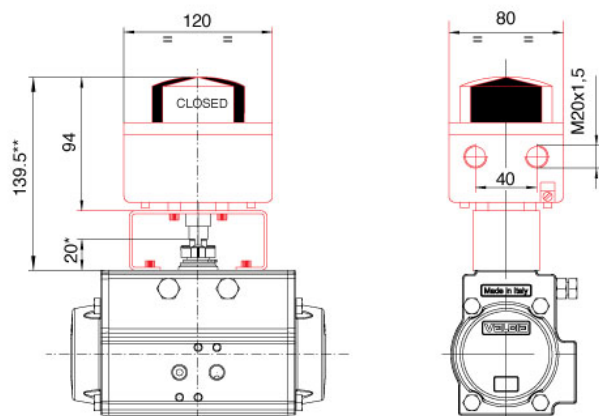


IP67 LIMIT SWITCH BOX



* 30 mod. 115-125-140-160-180-200-230-270

* 50 mod. 330

** 149.5 mod. 115-125-140-160-180-200-230-270

** 169.5 mod. 330

MAIN CHARACTERISTICS

Body material	Chromate aluminium, polyester powder coated
Cover material	Ply-carbonate (UV resistant and auto extinguish)
Shaft material	Stainless steel
Mounting kit for actuator	Stainless steel
Screws	Stainless steel
Protection	IP 67
Working temperature	-20°C +80°C
Adjusting cam	Independent (splined)
Position indicator	Tri-dimensional, high sized
Cable entry	M20X1,5 (1/2"NPT O PG 13,5 optional)

CODE	STANDARD VERSIONS	ACTUATOR MOD.
03900000084	2 Electromechanical limit switches SPDT Max 5A 250V AC / 0,6A 125V DC / 3A 24V DC Min. 50mA 24V DC	32
03900000085		52÷100
03900000086		115÷270
03900280026		330
03900000087	2 Inductive Namur limit switches P+F SJ3,5-N 2 wire not amplified Ex II 2 G/D EEx ia IIC T6 (zone 1.2.21 e 22) ATEX	32
03900000088		52÷100
03900000089		115÷270
03900280027		330
03900000090	2 Inductive Namur limit switches P+F NJ2 V3 N 2 wire not amplified Ex II 2 G/D EEx ia IIC T6 (zone 1.2.21 e 22) ATEX	32
03900000091		52÷100
03900000092		115÷270
03900280028		330
03900000093	2 Inductive limit switches P+F NBB2 V3 E2 3 wire amplified 10-30 V DC 100 mA	32
03900000094		52÷100
03900000095		115÷270
03900280029		330