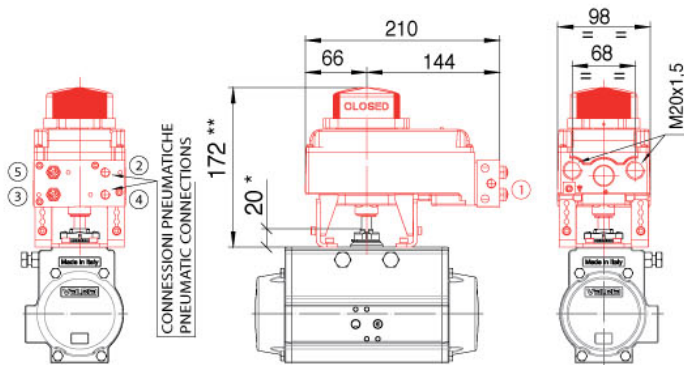


# IP67 LIMIT SWITCH BOX WITH SOLENOID VALVE



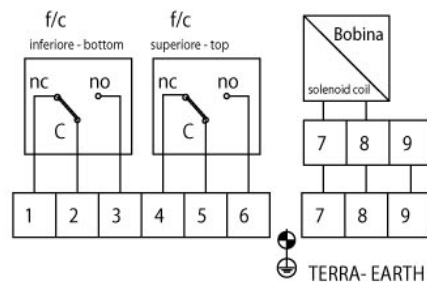
\* 30 mod. 115-125-140-160-180-200-230-270

\*\* 182 mod. 115-125-140-160-180-200-230-270

## MAIN CHARACTERISTICS

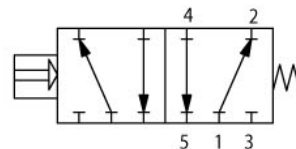
Body material and cap	Epoxy coated aluminium
Cover material	UV resistant and V0 polycarbonate
Solenoid valve material	black anodised aluminium
Seat	NBR
Shaft material	INOX
Mounting kit for actuator	INOX
Screws	INOX
Protection	IP67
Certified	CE
Working temperature	da -20°C a +50°C
Operating pressure	da 2,5 bar a 8 bar
Fluid	Filtered, lubricated or non lubricated compressed air (also dried to a dew point of -20°C)
Pneumatic connections	1/4" NPT without gauges
Adjusting cam	Splined
Limit switch	n°2 electromec SPDT silver olated contacts Max5A@250VAC - 3A@24VDC min. 50mA@250VAC - 50mA@24VDC
Terminal stript	PCB (9 poli-poles)
Position indicator	3D
Cable entry	n°2 M20 x 1,5

## SCHEMA DI FUNZIONAMENTO - WORKING SCHEME



FUZIONAMENTO FINECORSA - LIMIT SWITCH FUNCTION	
POSIZIONE ATTUATORE - ACTUATOR POSITIONER	
CON APERTO - OPEN	CHIUSO - CLOSE
1	2
3	4
5	6
7	8
9	9

## SCHEMA DI FUNZIONAMENTO ELETTROVALVOLA - SOLENOID VALVE PNEUMATIC DIAGRAM



L'elettrovalvola 5/2 può essere trasformata in una 3/2 semplicemente tappando la porta n°2  
5/2 solenoid valve can be used as 3/2 just closing the port n°2

CODE	STANDARD VERSIONS	ACTUATOR MOD.
03900000100	BOX CON EV 3-5/2 24 V DC - 2,3W	52-270
03900000140	BOX CON EV 3-5/2 24 V AC - 2,8 VA	
03900000141	BOX CON EV 3-5/2 110 V AC - 2,8 VA	
03900000142	BOX CON EV 3-5/2 230 V AC - 2,8 VA	

ASSEMBLING AND ADJUSTING LIMIT SWITCH BOX WITH SOLENOID VALVE

Not suitable for mod.330