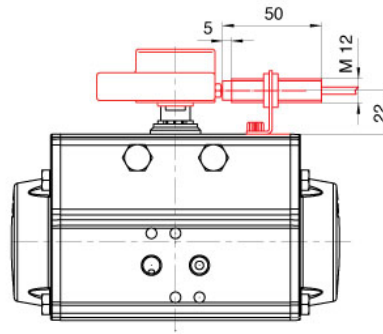
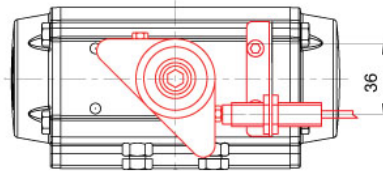
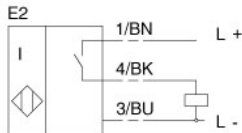


ASSEMBLY SCHEME FOR PEPPERL+FUCHS NBN4-12GM50-E2 INDUCTIVE LIMIT SWITCHES



SCHEMA ELETTRICO
ELECTRIC WIRING



MAIN CHARACTERISTICS

Type	Cylindrical, threaded M12x1, three wires	Reverse polarity protection	Yes
Reduction factor	rv2A: 0.8 - rAl: 0.5 - rCu: 0.4	Output indicator	Led, yellow
Operating distance Sn mounting	4mm not embeddable	Working temperature	From -25°C to +70°C
Assured operating distance Sa	0...3.24 mm	In compliance with	EN60947 - 5 - 2
Operating voltage	10 to 30 V	Protection	IP67
Working current	200 mA	Connection	2 m cable in PVC
Switching frequency	1200 Hz	Conductor cross section	0.14 mm ²
No-load supply current	17 mA	Housing material	Brass
Voltage drop	3 V	Sensing face	PBT
Short circuit protection	Pulsing		

CODE	STANDARD VERSIONS
03900007017	"P+F" model NBN4-12GM50-E2, IP67, 3wires, 10...30V, 200mA supply, with 2 meters output cable in PVC

CODE	MOUNTING KIT
RI4530	For actuator mod. 32
RI4523	For actuator mod. 52
RI4524	For actuator mod. 63+100
RI4525	For actuator mod. 115+140
RI4526	For actuator mod. 160
RI4527	For actuator mod. 180-200-230-270

* Mod. 330 see switch box