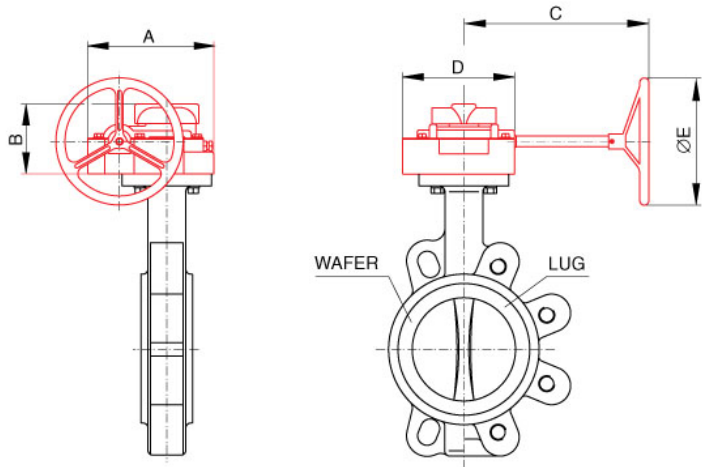


## GEAR OPERATOR, UNDECLUTCHABLE FOR VALPRES BUTTERFLY VALVES SERIES 60 (VERTICAL WHEEL)



### MAIN CHARACTERISTICS

Body material	Cast iron, painted
Cover material	Steel
Square material	Sintered steel
Torque	From 200 Nm to 1000 Nm
Stroke	90° ± 5°
Working temperature	-20°C +80°C

CODE	A mm	B mm	C mm	D mm	ØE mm
RI3556	111	57	152	94	125
RI3382	111	57	152	94	125
RI3383	144	65	239	121	200
RI3557	144	65	239	121	200
RI3384	181	80	295	151	300

CODE	STANDARD VERSIONS
RI3556	Gear operator - vol. Ø 125 DN50 ÷ DN80
RI3382	Gear operator - vol. Ø 125 DN100 ÷ DN150
RI3383	Gear operator - vol. Ø 200 DN200
RI3557	Gear operator - vol. Ø 200 DN250
RI3384	Gear operator - vol. Ø 300 DN300