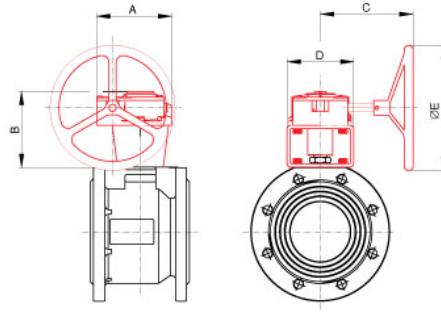


GEAR OPERATOR, UNDECLUTCHABLE FOR VALPRES BALL VALVES SERIES 72-73 (VERTICAL WHEEL)



MAIN CHARACTERISTICS

Body material	Cast iron, painted
Cover material	Cast iron, painted
Square material	Sintered steel
Torque	From 250 Nm to 1000 Nm
Stroke	90°± 5°
Working temperature	-20°C +80°C

SIZE VALVE	A mm	B mm	C mm	D mm	ØE mm
DN65-80	107	118	152	88	125
DN100-125	142	147	169	116	200
DN150-200	180	161	223	150	300

CODE

STANDARD VERSIONS

890063	Gear operator - vol. Ø 125 with Kit for valve DN 65-80
890064	Gear operator - vol. Ø 200 with Kit for valve DN 100-125
890065	Gear operator - vol. Ø 300 with Kit for valve DN 150 (s.72/73) - 200 (only s. 73)
890070	Gear operator - vol. Ø 300 with Kit for valve DN 200 (only s.72)