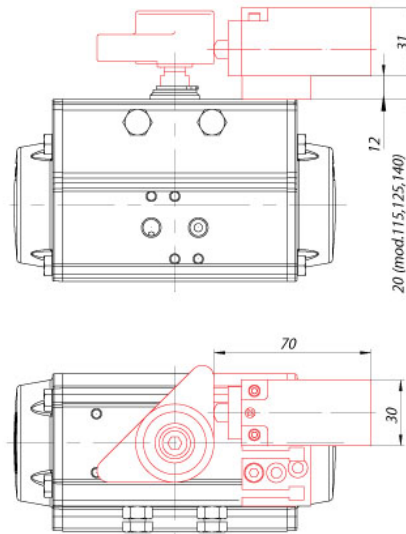


# ASSEMBLY SCHEME FOR PIZZATO FR 501 ASSEMBLY ELECTROMECHANICAL LIMIT SWITCH

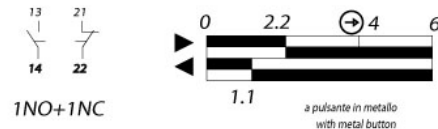
**NEW**



## MAIN CHARACTERISTICS

Body material	Made of glass-reinforced polymer, self-extinguishing, shock-proof thermoplastic resin and with double insulation
In compliance with normative	IEC 60947-5-1, EN 60947-5-1, EN 60947-1, EN 50047, IEC 60204-1, EN 60204-1, EN 1088, EN ISO 12100-1, EN ISO 12100-2, IEC 60529, EN 60529, NFC 63-140 VDE 0660-200, VDE 0113
Working temperature	-25°C + 80° C
Protection	IP67
Mechanical durability	20 million cycles
Cable entry	1 entry for PG13

## Funzionamento dei contatti Contacts functioning



CODE	STANDARD VERSIONS
RI4455	Pizzato button electromechanical

CODICE CODE	MOUNTING KIT
RI4529	For actuator mod. 32
RI4519	For actuator mod. 52
RI4520	For actuator mod. 63-75-85-100
RI4521	For actuator mod. 115-125-140
RI4522	For actuator mod. 160
RI4528	For actuator mod. 180-200-230-270

\* Mod. 330 see switch box