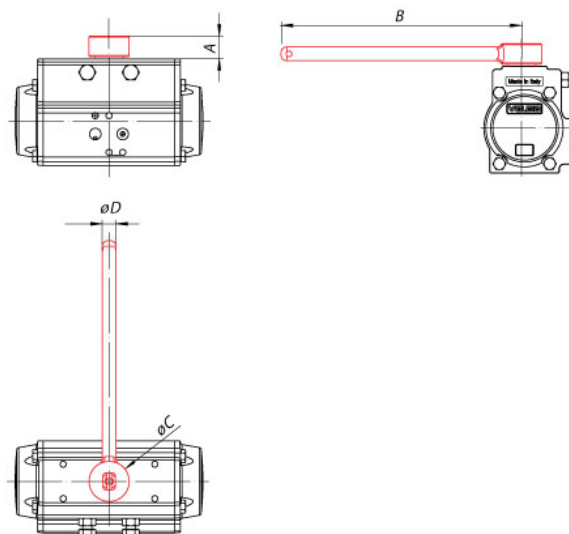


HANDLE KIT FOR EMERGENCY MANUAL INTERVENTION FOR DOUBLE ACTING ACTUATORS

NEW



ACTUATOR MOD.	A	B	ØC	ØD
32	18	210	30	12
52	20	210	30	12
63	20	210	35	12
75	20	290	40	12
85	20	290	45	12
100	20	290	45	12
115	30	380	60	14
125	30	380	60	14

CODE	STANDARD VERSIONS
RI4476	Kit for mod. 32-52
RI4477	Kit for mod. 63
RI4478	Kit for mod. 75
RI4479	Kit for mod. 85-100
RI4480	Kit for mod. 115-125