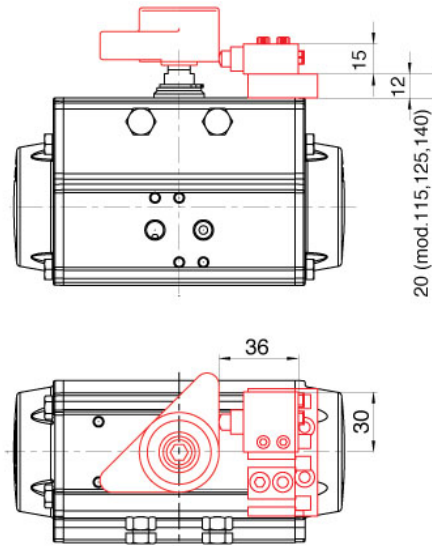


ASSEMBLY SCHEME FOR PNEUMATIC LIMIT SWITCH



MAIN CHARACTERISTICS	
Body material	Anodized aluminum
Nominal diameter	2.5mm
Nominal flow at 6 bar	120 NI/min
Working temperature	from -10°C to +60°C
Working pressure	from 2 to 10 bar
Supply medium	Filtered air 50 μ and lubricated
State	Normally closed
Internal parts	Brass
Seals	NBR
Springs	Stainless steel

Funzionamento dei contatti
Contacts functioning

CODE	STANDARD VERSIONS
RI4506	Pneumatic limit switch with mechanical impulse
RI4554	Pneumatic limit switch with mechanical impulse Ex II 2GD c II T6 ATEX

CODE	MOUNTING KIT
RI4529	For actuator mod. 32
RI4519	For actuator mod. 52
RI4520	For actuator mod. 63-100
RI4521	For actuator mod. 115-140
RI4522	For actuator mod. 160
RI4528	For actuator mod. 180-200-230-270

* Mod. 330 see switch box