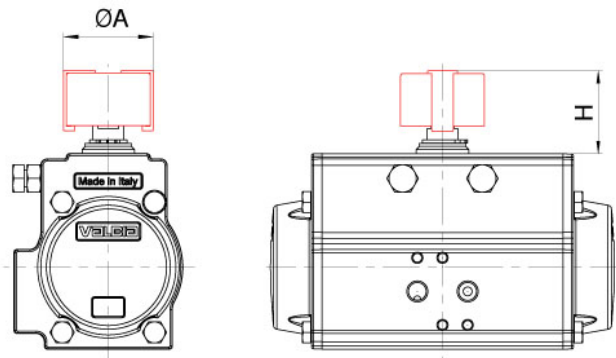


POSITION INDICATORS



ACTUATOR MOD.*	ØA	H
32÷75	43	30
85÷100	43	40
115÷270	68	54
330	68	74

CODE	STANDARD VERSIONS
RI4550	Position indicator kit for actuator mod. 32-52-63-75
RI4551	Position indicator kit for actuator mod. 85-100
RI4553	Position indicator kit for actuator mod. 115-125-140-160-180-200-230-270-330

* Valido solo per serie B2 - Valid only for series B2