

CLASSIC SOLUTION

ECOMATIC - ECONOMIZER

ECOMATIC NET

Classic Method, state-of-the-art performances: advanced functions to manage the cleaning cycle, large number of parameters and management via serial line.

Economisers in the ECOMATIC-NET range are digital sequential timers with built-in differential pressure switches and are able to control from 4 to 96 solenoid valves respectively.

In all versions there is a display with 3 digit that can display the most important features and it is possible to programme the various and customizable internal parameters with the 3 buttons on the panel. The states and functions are displayed by the lighting of LEDs on the front panel of the instrument.

The controllers with AC power supply are able to control both electronic valves with AC input and electronic valves with 24VDC.

Each model is supplied in polycarbonate enclosures with transparent lids and IP56 protection rating.

On demand, the ECOMATIC-NET instruments can be provided of an ACTIVE analogical output proportional to the pressure read by the sensor.

The Ecomatic NET can be supplied in Atex Zone 22 3D version and can be equipped with a RS 485 serial output for communication with PC or PLC via MODBUS.

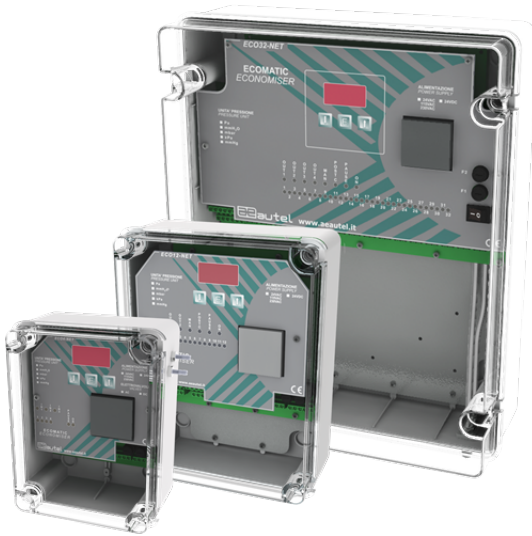
The input and relay outputs can be programmed with various functions and the instrument, if put into communication with an Autel triboelectric probe, is able to detect in which row is present the broken bag.

PRODUCT CERTIFICATIONS

STANDARD



OPZIONALI



TECHNICAL SPECIFICATIONS

| Main Features | Features | Values |
|---------------|-------------------------------|-----------------------------|
| Protection | Protection Level (standard) | IP56 |
| Temperature | Working Temperature (°C) | -10... +50 |
| Power Supply | Power Supply Range (standard) | 24Vac/115Vac/230Vac 50-60Hz |
| | Power Consumption | 100W |

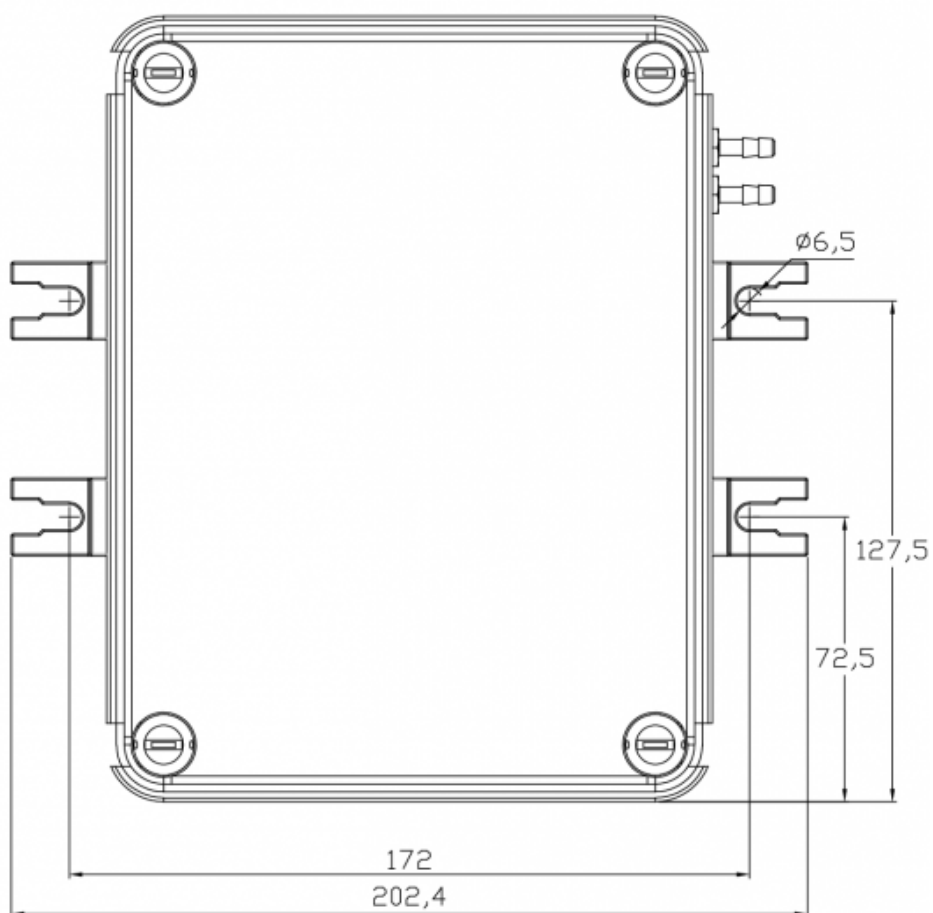
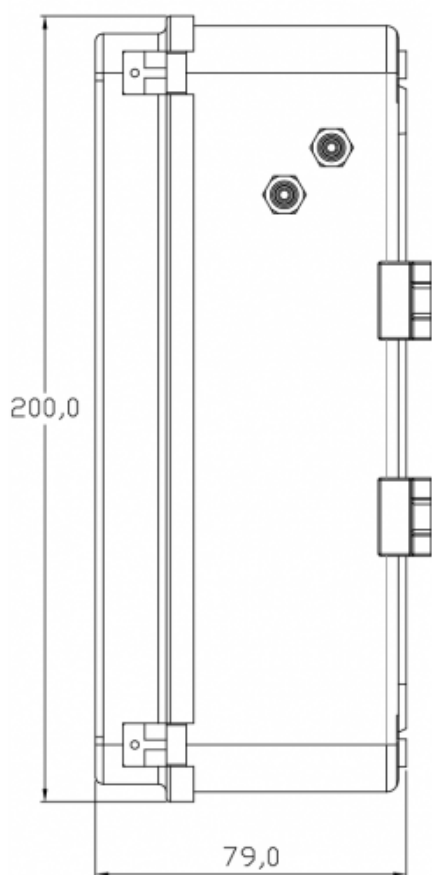
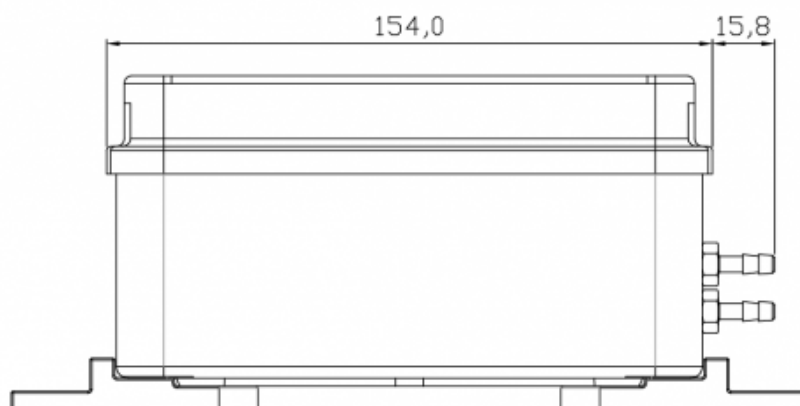


TECHNICAL SPECIFICATIONS

| Main Features | Features | Values |
|---------------------------------|--|---|
| Display | Display Type | 7-segment display |
| | Resolution | 3 digits |
| | Display Color (standard) | Red |
| Inputs | Digital Inputs (nr) | 3-4 opto-isolated inputs |
| | Pressure Input | ok |
| | Pressure Range | -99/+999dPa, -99/+999mmH ₂ O, -9.9/+99.9mBar, -0.99/+9.99kPa, -7.5/+75.0mmHg |
| Outputs | Relay Outputs (nr) | 1-2 |
| | Relay Output Power | 2A/115Vac |
| | Coils Control Voltage | 24Vac, 115Vac, 230Vac or 24Vdc |
| | 4-20mA Output | optional |
| Functions | Cyclic Management | ok |
| | Delta Pressure Management | ok |
| | Customizing Cycles | ok |
| | Remote Start/Stop | ok |
| | Autopause | ok |
| | Precoating | ok |
| | Post-cleaning | ok |
| | Cleaning cycle | ok (standard) |
| | Coils can be activated simultaneously for each output (nr) | 2 |
| | Broken Coil Control | ok |
| | Pressure Tank Control | ok |
| Broken Bag Control with D.Probe | ok | |
| Serial Ports | RS485 | optional |
| System | Maximum Driver Managed | 4... 96 electrovalves |
| | Type | MASTER |
| | Type of driver connectable | electrovalve/SPV |
| | Type of control driver | triac outputs |
| Controls | Buttons (nr) | 3 |
| Application | Type | Complex Small, Medium and Big size dust collectors |

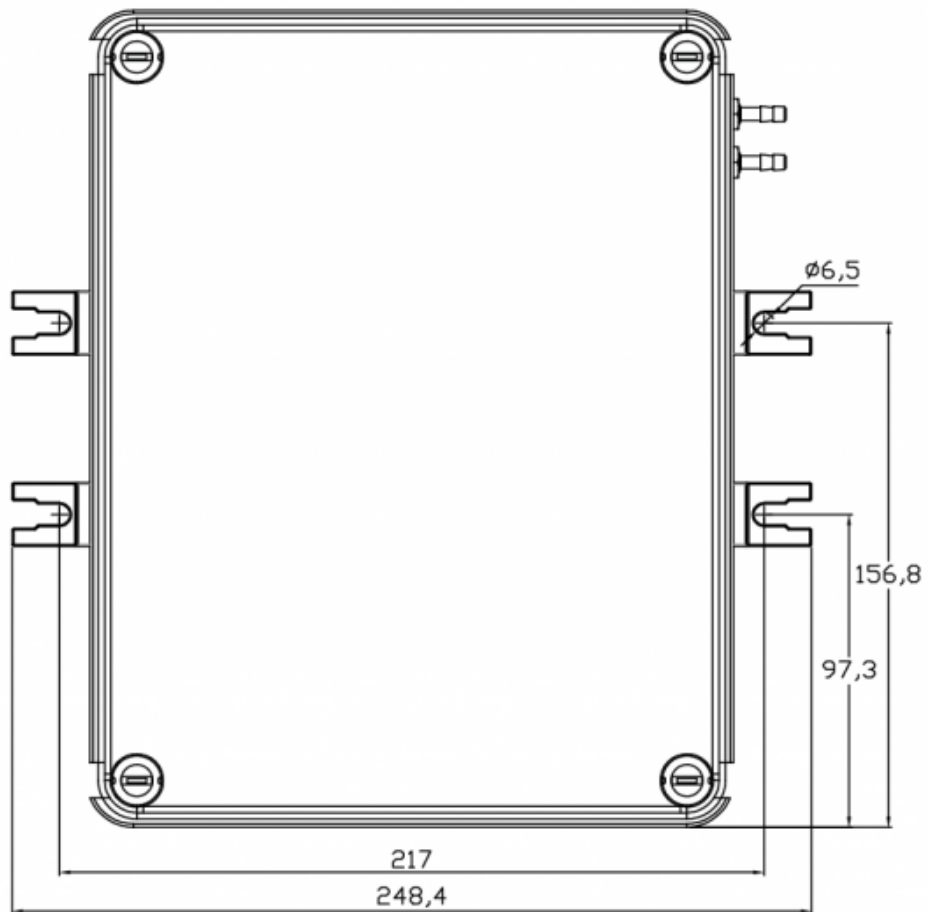
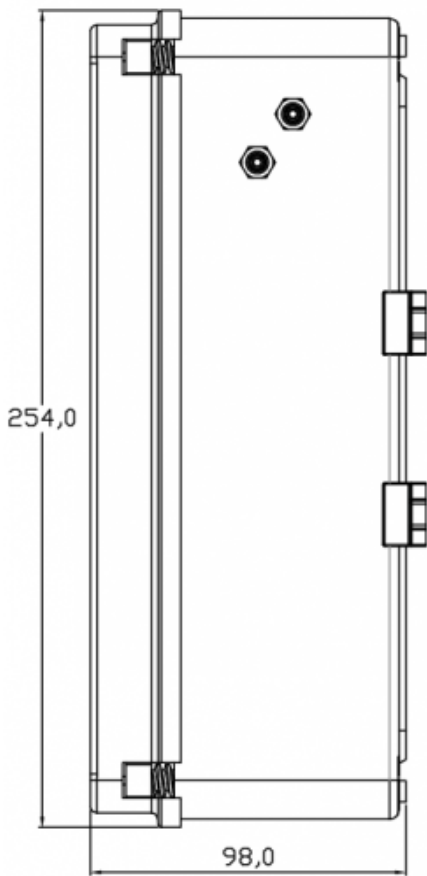
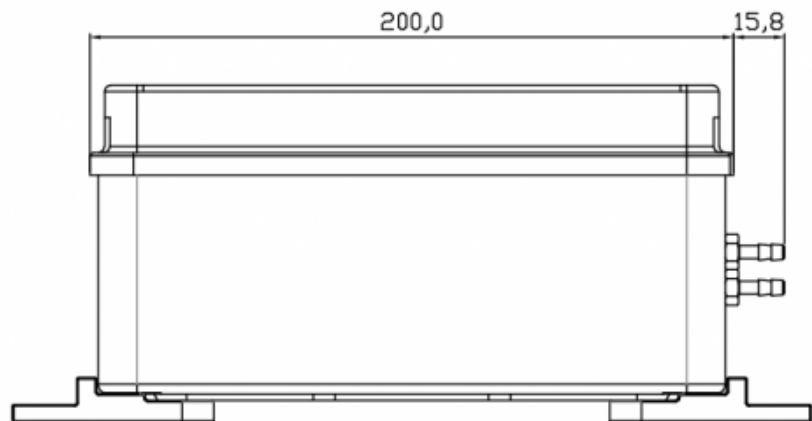
DIMENSIONAL LAY-OUT

ECO4-NET
ECO6-NET



DIMENSIONAL LAY-OUT 2

ECO12-NET



DIMENSIONAL LAY-OUT 3

ECO20-NET
 ECO32-NET
 ECO64-NET
 ECO96-NET

