

CLASSIC SOLUTION

ECOMATIC - ECONOMIZER

ECOMATIC S

Classic Method, state-of-the-art performances: basic functions to manage the cleaning cycle, with hour counter and cycles counter.

Economisers in the ECOMATIC-S range are digital sequential timers with built-in differential pressure switches and are able to control from 4 to 96 solenoid valves respectively.

In all versions there is a display with 3 digit that can display the most important features and it is possible to programme the various and customizable internal parameters with the 3 buttons on the panel. The states and functions are displayed by the lighting of LEDs on the front panel of the instrument.

The controllers with AC power supply are able to control both electronic valves with AC input and electronic valves with 24VDC.

Each model is supplied in polycarbonate enclosures with transparent lids and IP56 protection rating.

On demand, the ECOMATIC-S instruments can be provided of an ACTIVE analogical output proportional to the pressure read by the sensor.

PRODUCT CERTIFICATIONS

STANDARD



OPZIONALI



TECHNICAL SPECIFICATIONS

Main Features	Features	Values
Protection	Protection Level (standard)	IP56
Temperature	Working Temperature (°C)	-10... +50
Power Supply	Power Supply Range (standard)	24Vac/115Vac/230Vac 50-60Hz
	Power Supply Range (optional)	22... 34Vdc
	Power Consumption	50W
Display	Display Type	7-segment display
	Resolution	3 digits
	Display Color (standard)	Red

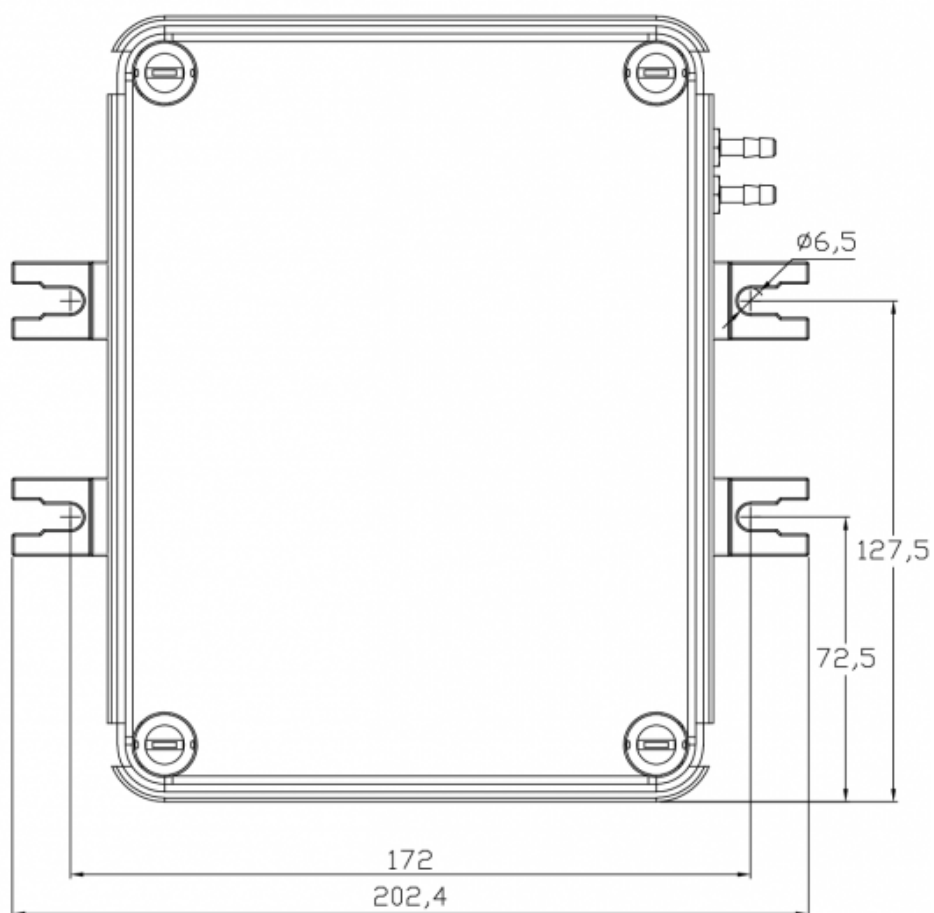
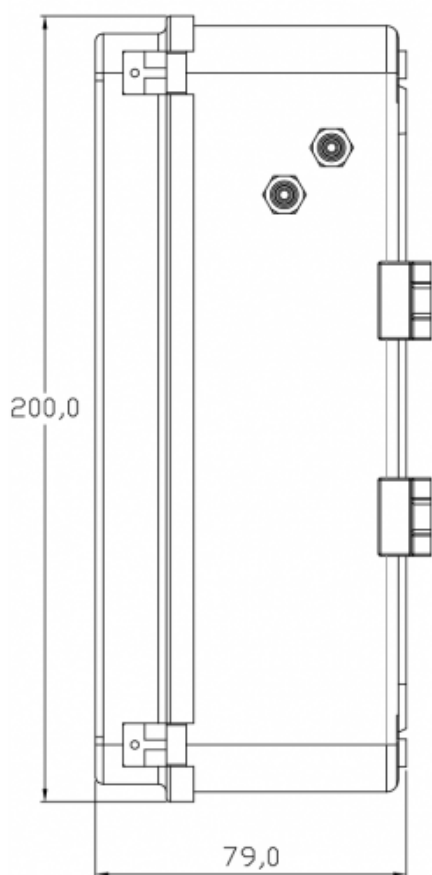
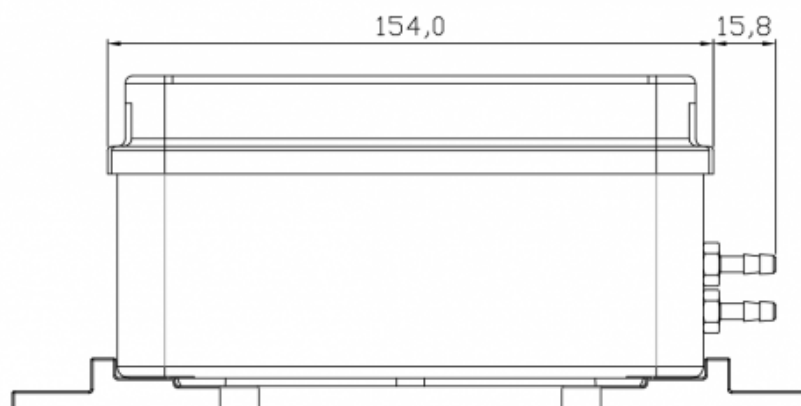


TECHNICAL SPECIFICATIONS

Main Features	Features	Values
Inputs	Digital Inputs (nr)	1 opto-isolated inputs
	Pressure Input	ok
	Pressure Range	-99/+999dPa, -99/+999mmH2O, -9.9/+99.9mBar, -0.99/+9.99kPa, -7.5/+75.0mmHg
Outputs	Relay Outputs (nr)	1
	Relay Output Power	2A/115Vac
	Coils Control Voltage	24Vac, 115Vac, 230Vac or 24Vdc
	4-20mA Output	optional
Functions	Cyclic Management	ok
	Delta Pressure Management	ok
	Precoating	ok
	Post-cleaning	ok
	Cleaning cycle	ok (standard)
	Coils can be activated simultaneously for each output (nr)	2
System	Maximum Driver Managed	4... 96 electrovalves
	Type	MASTER
	Type of driver connectable	electrovalve/SPV
	Type of control driver	triac outputs
Controls	Buttons (nr)	3
Application	Type	Regular Small, Medium and Big size dust collectors

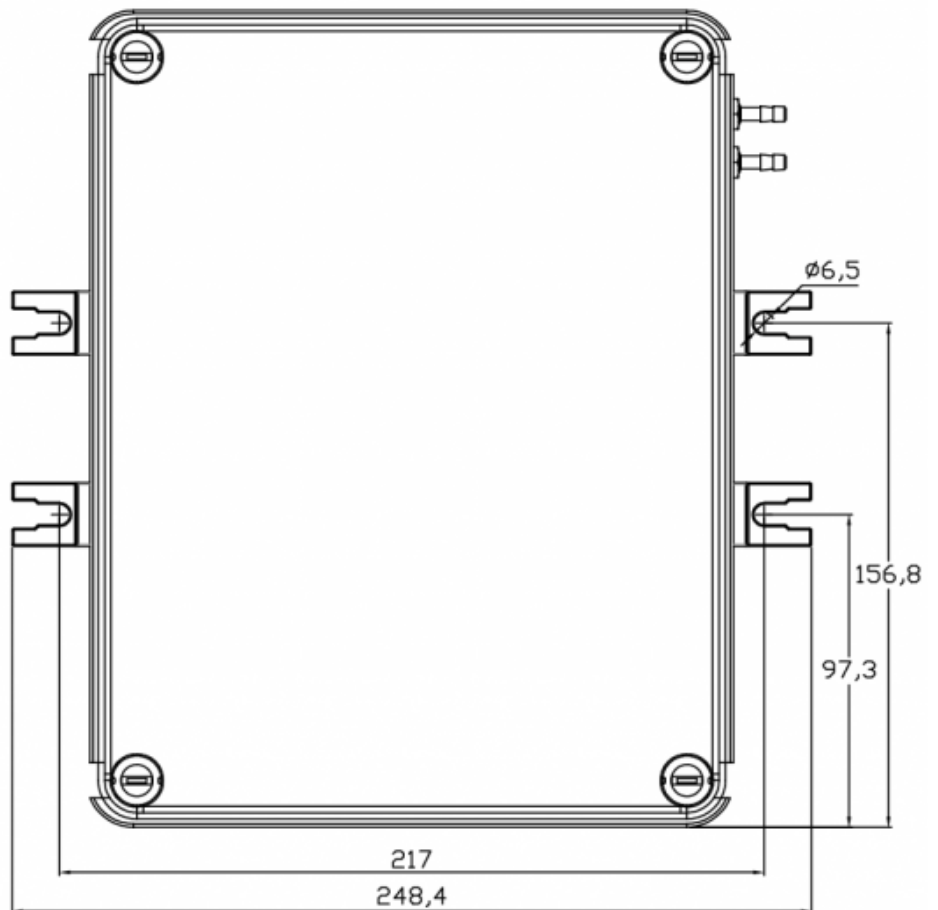
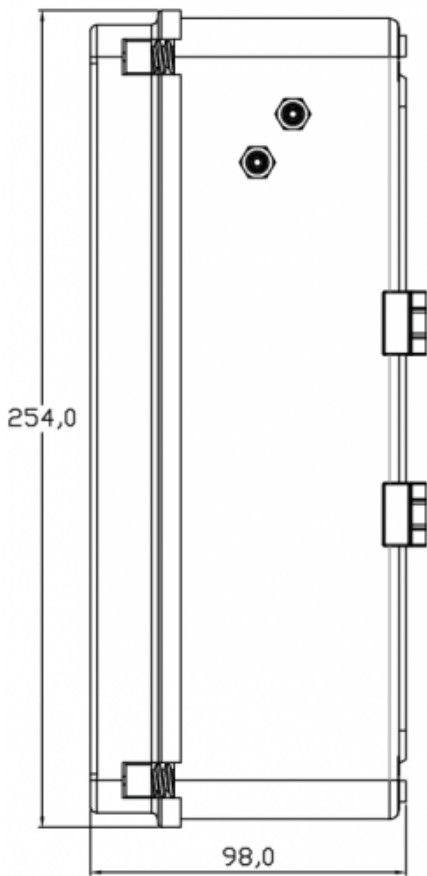
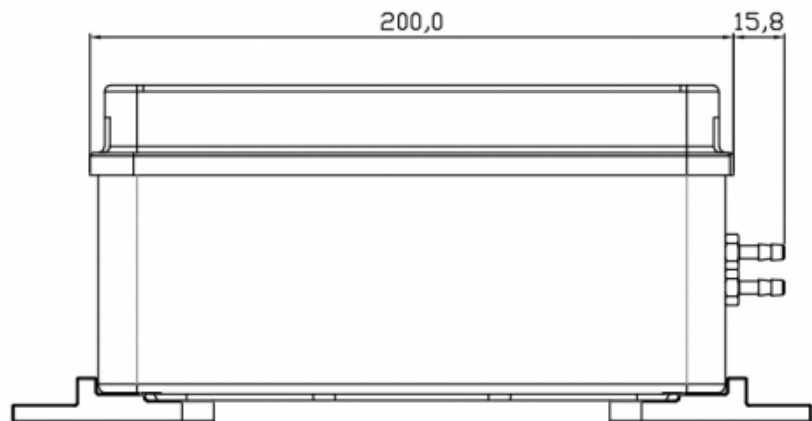
DIMENSIONAL LAY-OUT

ECO-S4
ECO-S6



DIMENSIONAL LAY-OUT 2

ECO-S12



DIMENSIONAL LAY-OUT 3

ECO-S20
 ECO-S32
 ECO-S64
 ECO-S96

